

IBM Audit Report

NotesBench R6iNotes Disclosure Report for IBM System p5 550Q 8-way POWER5+ 1.5 GHz running AIX 5L V5.3 with Lotus Domino 7



Measurements and analysis is performed by:
IBM Systems and Technology Group - pSeries Solutions Enablement
Austin, TX.
Audited in September 2005 by: KMDS Technical Associates, Inc.



NotesBench Disclosure Report

Table of Contents

Section 1: Executive Summary

Section 2: Benchmarking Objectives

Section 3: Test Methodologies

Section 4: Data

Section 5: Analysis

Section 6: Conclusions

Section 7: Statement by Auditor

Appendix A: Overall Test Setup and Software Versions

Appendix B: System Configurations

Appendix C: Operating System Parameters Values

Appendix D: Lotus Notes Parameters (NOTES.INI file)

Appendix E: Network Configuration File(s)

Appendix F: Guidelines for Information Usage

Appendix G: Pricing

Appendix H: Vendor-Defined information

Appendix I: Lotus Domino Statistics (provided in separate document)

Trademark and Disclaimers

Section 1: Executive Summary

IBM STG – pSeries® Solutions Enablement group has completed an R6iNotes workload benchmark with the IBM System p5™ 550Q server with eight 1.5 GHZ IBM POWER5+™ cores running IBM Lotus® Domino® 7 and the new DWA7 template on the IBM AIX 5L™ V5.3 operating system. The results below demonstrate an outstanding pSeries achievement in price/performance and high workload capacity with 24,000 Lotus Domino Web Access NotesBench users. This audit result demonstrates the performance capability of IBM POWER5™ technology with an excellent response time and a high number of NotesBench users per processor core.¹

These results for the p5-550Q server are based on the NotesBench R6iNotes workload which was run on a dedicated LPAR system configuration. The R6iNotes workload ran for six hours without errors with an average response time of 932 ms. The results are summarized in the following table.

Workload	Number of NotesBench Users	NotesMark (TPM)	Average Resp. Time	Price per User	Price per NotesMark	Number of cores	Number of users per core
R6iNotes	24,000	20,108	932 ms	US\$ 5.97	US\$ 7.13	8	3,000

The p5-550Q server was configured with eight 1.5 GHz POWER5 processors. The POWER5+ architecture places four processors cores on a single chip module (Quad-Core Module - QCM). There are two QCMs in this system configuration. IBM System p5 identifies processors as the number of cores per system. Thus this 8-way system contains two 4-core chips for a total of eight cores. Since System p5 considers each core a processor, the system is described as an 8-way with eight processors.

To support these processors the system was configured with 32GB of memory, a RAID10 SCSI disk subsystem using seventy two (72) 10,000 rpm 73.4GB disks and two PCI-X 10/100/1000 Mbps integrated Ethernet ports, plus two PCI 10/100 Ethernet cards. This configuration supported four Lotus Domino partitions running the NotesBench R6iNotes workload of 24,000 active users. All users databases were using the new Lotus Domino 7 DWA7 template. All partitions shared a common Lotus Domino Directory (Name and Address Book or NAB) which contained 48,000 person documents.

In addition to the p5-550Q system under test (SUT), the benchmarked configuration included 24 client (child) driver systems for the NotesBench R6iNotes workload and one parent system. All systems were connected using the TCP/IP network protocol. Configuration details are provided in **Appendix A: Overall Test Setup and Software Versions**.

The performance measurements were completed by September 22, 2005. All aspects of the performance measurements including setup, execution, and results analysis and reporting were performed by the IBM STG - Solutions Enablement team in Austin, Texas. The benchmark results were audited by KMDS Technical Associates, Inc., in September, 2005.

NotesBench provides an objective method for evaluating the performance of different platforms running Lotus Domino. NotesBench generates a transactions-per-minute (tpm) throughput metric, called a NotesMark, for each test, along with a value for the maximum capacity (number of NotesBench users) supported, and the average response time.

Section 2: Benchmarking Objective

The primary objective of the benchmark was to demonstrate the price/performance and workload capability of Lotus Domino 7 in the UNIX® platform with the IBM AIX 5L V5.3 operating system and IBM System p5 550Q server. This objective was successfully accomplished running 24,000 NotesBench R6iNotes users with just eight processor cores. All pricing details are provided in **Appendix G: "Pricing"**.

A secondary objective is to demonstrate that the IBM System p5 550Q is a solid High-end enterprise solution. This was accomplished by achieving a large number of R6iNotes NotesBench users per processor core (3,000) while maintaining an excellent average response time of 932 milliseconds.

In general, the results from this benchmark should not be used for capacity planning. When sizing an IBM server to handle a given Lotus Domino workload, many factors need to be considered which are not part of the R6iNotes workload. We recommend that clients work with an IBM representative to appropriately size a System p5 server.

Section 3: Test Methodologies

Test Environment

The test environment consisted of a 100 Mb Ethernet network that connected the p5-550Q, 24 Intel® processor-based child drivers and one Intel processor-based parent driver. These components were connected using a Cisco5000 hub (model WS-C5000). Connected to the system under test was a SCSI RAID disk storage subsystem made up of seventy two (72) physical 73.4GB disks.

The p5-550Q SUT was configured with eight 1.5 GHz POWER5+ processors, 32GB of memory, two PCI-X 10/100/1000 Mbps integrated Ethernet ports, plus two PCI 10/100 Ethernet cards, six external IBM SCSI RAID PCI-X controllers to connect to the SCSI disk storage subsystem. The SCSI subsystem was configured with seventy two (72) physical 73.4GB disks into eighteen RAID10 arrays for holding Lotus Domino mail data files.

The p5-550Q server was running AIX 5L V5.3 using the 64-bit kernel. Four Lotus Domino 7 partitions were installed. Lotus Domino binaries were placed on a different physical disk while the Lotus Domino server directories were placed on logical volumes striped across all six RAID10 arrays presented by the SCSI disk subsystem to the operating system. For best performance the Lotus Domino server data directories were placed on jsf2 file systems. Each Lotus Domino server was given its own Ethernet port so network bandwidth would not be a bottleneck during the testing. The following environment variable was set to improve performance.

AIXTHREAD_SCOPE=S

The driver systems were Intel processor-based systems running the NotesBench 7 executable version 259 to generate the user load. All drivers were set up to simulate 1000 R6iNotes NotesBench users. All 24 drivers were used to generate the load of 24,000 NotesBench users across the 100 Mb Ethernet network. The parent driver was used to start the driver systems and monitor the test.

Lotus Domino configuration:

The p5-550Q server ran the AIX 5L V5.3 operating system with four Lotus Domino Release 7 partitions. The Name and Address Book contained 48,000 person documents.

The following NOTES.INI parameters were modified for the Lotus Domino partitions on the SUT. Please refer to **Appendix C** for additional configuration information.

<i>NSF_BUFFER_POOL_SIZE_MB=448</i>
<i>NSF_DBcache_MaxEntries=3000</i>
<i>SERVER_SHOW_PERFORMANCE=1</i>
<i>Mail_Number_of-Mailboxes=4</i>
<i>MailCompactDisabled=1</i>
<i>ServerTasks=Router, HTTP</i>

Test Procedures

The NotesBench R6iNotes workload models an active user using a browser interface to send and delete mail, create appointments, schedule invitations, and respond to invitations. The mail sent by each user is delivered to mail databases of the other users on the system under test. Each NotesBench user completes the following actions an average of every 15 minutes except where noted:

- Open mail database, which contains documents that are 10Kbytes in size
- Open the current view
- Open five documents in the mail file, which may have attachments up to 10MB in size
- Categorize two of the documents
- Send one new mail memos/replies with a 97Kbytes average message and attachment size to three recipients (every 90 minutes)
- Mark several documents for deletion
- Delete documents marked for deletion
- Create one appointment (every 90 minutes)
- Schedule one meeting invitation (every 90 minutes)
- Close the view

24 drivers were used to generate these active NotesBench users. All 24 drivers ran 1,000 users to generate the 24,000 users of the workload. The ramp up to 24,000 NotesBench users was staged over a period of 363 minutes. The stagger time between users was six seconds for the entire ramp up. The progression to the full 24,000 NotesBench users was done in one step.

Step	Drivers used	Users started	Total users
1	24	1000	24,000

Over 90% of the mail generated during the test was delivered to mail users on the servers during the test. After the steady state user load of 24,000 NotesBench users was reached, the p5-550Q server ran for an additional six hours. During this time the Lotus Domino server SHOW commands were used every 30 minutes to capture statistics on the operation of the four Lotus Domino servers. In addition, during the ramp up and through steady state operation AIX 5L performance tools were used to record CPU, disk and network statistics. These tools include umon, vmstat, iostat and nmon.

After running 24,000 NotesBench users for six hours all 24 drivers were stopped. Once all NotesBench users had stopped one final capture of the Lotus Domino stats was taken and then all four Lotus Domino servers were stopped to terminate the test.

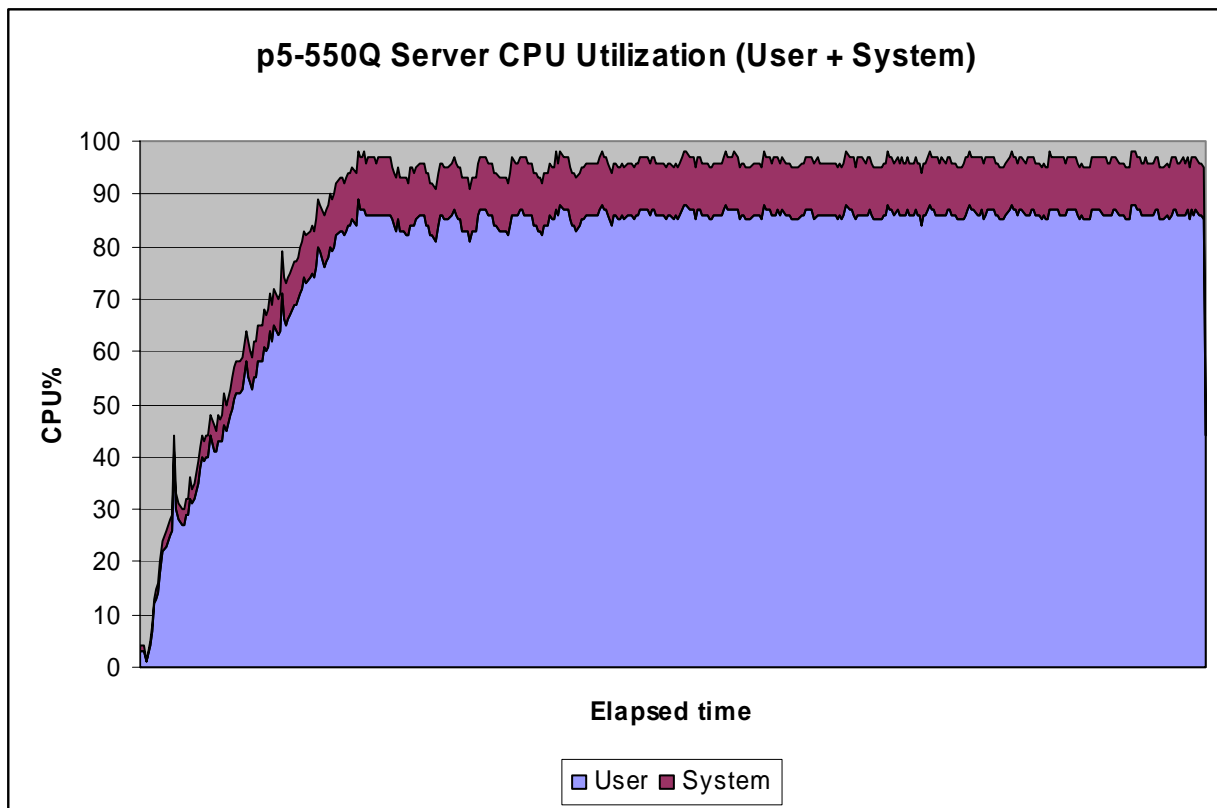
Section 4: Data

The NotesBench R6iNotes workload ran for six hours at steady state. The p5-550Q server demonstrated that it can support 24,000 concurrent R6iNotes NotesBench users with a response time of 932 ms and a NotesMark of 20,108. The notesnum executable reported the following data:

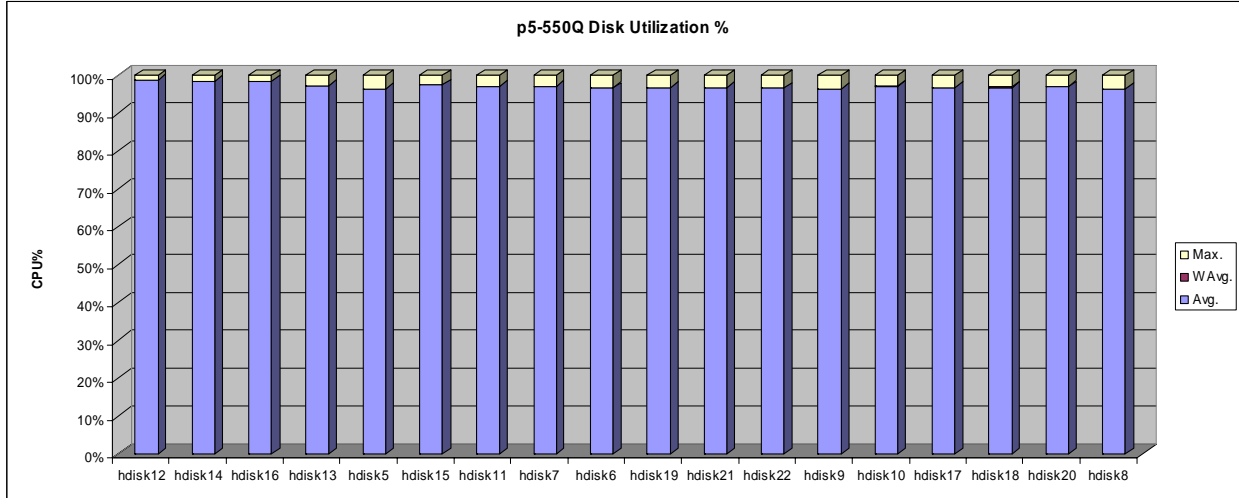
```
Min Start Time = 09/22/2005 11:59:59 AM    Max Stop Time = 09/22/2005
06:02:18 PM
Total Test Errors = 0
Total Test Time = 21780 sec
```

```
Test Run:    Users = 24000    NotesMark = 20108    Response Time = 932 msec
(09/22/2005 12:01:00 PM to 09/22/2005 06:01:00 PM)
```

During the ramp up and steady state the CPU utilization was monitored using the vmstat and nmon monitoring tools. The following graph shows the CPU utilization in terms of the system time and user time over the course of the entire test.



The I/O utilization was monitored using the iostat and nmon. Data was collected every minute. The following chart shows the utilization data collected on ten minute intervals. Each hdisk is a RAID10 disk array. At the steady state load of 24,000 NotesBench users the disks were being driven well above ninety percent utilization.



Section 5: Analysis

This R6iNotes NotesBench benchmark shows outstanding price/performance on the UNIX platform. In an 8-way system configuration with only 32GB of memory, the p5-550Q system demonstrated that it was capable of supporting 24,000 NotesBench users using the new Lotus Domino 7 DWA7 template with no errors and a response time of 932 milliseconds, well below the audit requirement of five seconds. That translates to 3,000 NotesBench users per processor core.

Section 6: Conclusions

The test results demonstrate that a System p5 550Q server configured with four Lotus Domino 7 partitions, as described within this report, can support 24,000 NotesBench R6iNotes users using the new Lotus Domino 7 DWA7 template with a response time of 932 milliseconds. The official NotesMark reported for these audited results was 20,108.

The benchmark objectives were met by showing remarkable NotesBench user price/performance system configuration in the UNIX platform running the R6iNotes workload and also by showing outstanding NotesBench user per processor core measure in an UNIX platform to date with only 32GB of memory.ⁱ

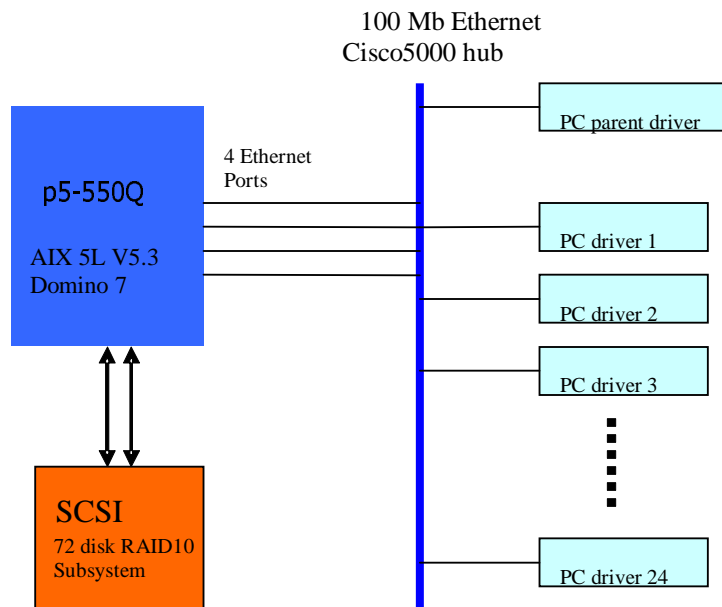
Section 7: Statement by Auditor

The original "Lotus NotesBench Test Results Report Certification Letter" was signed by Daryl Thompson, NotesBench Auditor for KMDS Technical Associates, Inc., and is on file at IBM.

Appendix A: Overall Test Setup and Software Versions

System under test (SUT) --- IBM System p5 550Q

The p5-550Q server was running AIX 5L V5.3 operating system. Lotus Domino 7 was configured with four Lotus Domino servers. The Lotus Domino servers were configured in a single Lotus Notes® Domain. Each user was capable of sending mail to any other user. Users were spread evenly across all four Lotus Domino servers. Each Lotus Domino server ran with a dedicated internal Ethernet port. The following figure shows the test topology.



Driver Systems

For the NotesBench R6iNotes workload, 24 driver systems and one parent system were used. The driver systems and the parent system were all running Windows 2000 Server.

The driver systems were IBM IntelliStation® computers, each configured with 785MB of memory and one 550 MHz Pentium® III processor. Each Child driver had one 100 mb Ethernet connection to the network.

Server Platform

A single IBM System p5 550Q was benchmarked. The system had 8 x 1.5 GHz POWER5+ processors and 32GB of memory. The system had two Quad-Core modules (QCM). Each QCM contained four processor cores. The system was configured as an eight CPU LPAR. The disk I/O configuration used was a SCSI subsystem with 72 disks configured as 18 RAID10 disk arrays.

Network

The child systems and parent system were connected to a Cisco® Systems Catalyst 5000 Series switch using 100 Mbps Ethernet. The system under test was connected to the switch using four 10/100 Mbps Ethernet ports.

Software Versions

Software versions used on the system under test (SUT) were as follows:

- AIX 5L Version 5.3 Operating System
- Lotus Domino Release 7
- Software versions used on the child drivers were as follows:
 - Microsoft® Windows® 2000 Server
 - Lotus Notes Client Release 7
 - NotesBench 7.0 for Version 259 - Windows/32

Appendix B: System Configurations

System under Test (SUT)	
System	System p5 550Q
Processors	8 x 1.5 GHz POWER5
Memory	32GB
Disk	1 internal SCSI disks (73.4GB) / 72 1 external SCSI disks (73.4GB)
Network Interface Adapter	1 – integrated PCI-X 10/100/1000 mpbs dual Ethernet ports 2 – PCI 10/100 mpbs Ethernet Adapter
Operating System	AIX 5L V5.3
Lotus Domino	Lotus Domino release 7

Parent	
System	IBM netVisa
Processor	863 MHz Pentium III
Memory	512MB
Disk	C: 4 GB (NTFS)
Network Interface Adapter	Single 100 mpbs Ethernet adapter
Operating System	Microsoft Windows 2000 Server with service pack 4
Lotus Notes	Lotus Notes Client and Server for Windows Release 7
NotesBench	NotesBench 7.0 for Version 259 - Windows/32

Children		
System	16 IBM IntelliStation	8 IBM netVisa
Processor	550 MHz Pentium III	863 MHz Pentium III
Memory	785MB	512MB
Disk	C: 4GB (NTFS)	C: 4 GB (NTFS)
Network Interface Adapter	Single 100 mpbs Ethernet adapter	Single 100 mpbs Ethernet adapter
Operating System	Microsoft Windows 2000 Sever with service pack 4	Microsoft Windows 2000 Professional with service pack 4
Lotus Notes	Lotus Notes Client for Windows Release 7	Lotus Notes Client and Server for Windows Release 7
NotesBench	NotesBench 7.0 for Version 259 - Windows/32	NotesBench 7.0 for Version 259 - Windows/32

Appendix C: Operating System Parameters (SUT)

Changed System Values		
Name	Current Value	Shipped Value
maxuproc	1024	64
AIXTHREAD_SCOPE	S	P
/etc/security/limits	-1	various
numfsbufs	1860	126

The p5-550Q has the ability to configure into multiple LPARs. For this NotesBench test all eight processors, 32GB of memory, four Ethernet ports were configured in a single LPAR.

Appendix D: NOTES.INI Settings

NOTES.INI File for the System under Test

(Lotus Domino Mail Server #1)

```
[Notes]
Directory=/server1
KitType=2
Platform_Statistics_Disabled=1
;===== Notesbench settings =====
Server_show_performance=1
Mail_Number_of_Mailboxes=4
NSF_Buffer_Pool_Size_MB=448
NSF_DBcache_MaxEntries=3000
Log_Disable_Session_Info=1
MailLeaveSessionsOpen=1
;===== end of Notesbench settings =====
UserName=
CompanyName=
NotesProgram=/opt/lotus/notes/70000/ibmpow
ASPInstall=0
FaultRecovery_Build=Release 7.0
Timezone=6
DSTLAW=4,1,1,10,-1,1
SHARED_MAIL=0
DisableLDAPOnAdmin=1
Passthru_LogLevel=0
Console_LogLevel=2
DefaultMailTemplate=mail7.ntf
Preferences=32
;ServerTasks=Replica,Router,Update,AMgr,Adminp,Sched,CalConn,LDAP
ServerTasks=Router,http
TCPIP=TCP,0,15,0
TCPIP_TCPIPAddress=0,192.1.1.101
Serial1=XPC,1,15,0,
Serial2=XPC,2,15,0,
DST=1
MailType=0
$$HasLANPort=1
Ports=TCPIP
DisabledPorts=Serial1,Serial2
LOG_REPLICATION=1
LOG_SESSIONS=1
KeyFilename=/server1/server.id
CertifierIDFile=/server1/cert.id
MailServer=CN=server1/O=IBM
NAMELOOKUP_TRUST_DIRCAT=0
ServerKeyFileName=server.id
Domain=ibm
Admin=CN=Domino Administrator/O=IBM
TemplateSetup=700006
Setup=700007
ServerSetup=700003
```

CleanSetup=1
PhoneLog=2
Log=log.nsf, 1, 0, 7, 40000
ServerName=server1/IBM
ServerNameNative=03CF03CF736572766572312F49424D
FormulaTimeout=120
NSF_QUOTA_METHOD=2
TRANSLOG_AutoFixup=1
TRANSLOG_UseAll=1
TRANSLOG_Style=0
TRANSLOG_Performance=2
TRANSLOG_Status=0
ServerController=0
FaultRecovery=0
SCHEDULE_VERSION=4
SCHEDULE_VERSION_MINOR=7
MTEabled=0
LDAPNoAutoStartRepairDIT=1
LDAPSERVER=ldap://server1.ibm.com:389
WebAdminSetup=709
DominoConfigLevel=1
EventSetup=700011
TRANSLOG_Path=/server1log
Previous_TRANSLOG_Path=/server1log/
Previous_TRANSLOG_Style=0
UPDATE_TIMER=07/16/2003 13:08:02
CATALOG_UPDATED_BY_BUILD=510
MailCompactDisabled=1
TRANSLOG_MaxSize=5000
LDAPSERVERSSL=ldap://server1.ibm.com:0
CONSOLE_LOG_ENABLED=0
CRASH_REMOVE_DATA=0
CRASH_LOGFILE_KB=10240
FILE_RETENTION_DAYS=365
;ServerTasksAt1=Catalog,Design
;ServerTasksAt2=UpdAll
;ServerTasksAt3=Object Info -Full
;ServerTasksAt5=Statlog
CLEANUP_EVENTS4_MESSAGES_VIEW=0
CLEANUP_EVENTS4_STATS_VIEW=0
SCHEDULE_DB_BOSS=1
DELETE_DUPLICATE_PUID_NOTES=0
DDMSetup=700010

(Lotus Domino Mail Server #2)

```
[Notes]
Directory=/server2
;debugrouter=3
KitType=2
Platform_Statistics_Disabled=1
;===== Notesbench settings =====
Server_show_performance=1
Mail_Number_of_Mailboxes=4
NSF_Buffer_Pool_Size_MB=448
NSF_DBCache_MaxEntries=3000
Log_Disable_Session_Info=1
MailLeaveSessionsOpen=1
;===== end of Notesbench settings =====
UserName=
CompanyName=
NotesProgram=/opt/lotus/notes/70000/ibmpow
ASPInstall=0
FaultRecovery_Build=Release 7.0
Timezone=6
DSTLAW=4,1,1,10,-1,1
SHARED_MAIL=0
DisableLDAPOnAdmin=1
Passthru_LogLevel=0
Console_LogLevel=2
DefaultMailTemplate=mail7.ntf
Preferences=32
;ServerTasks=Replica,Router,Update,AMgr,Adminp,Sched,CalConn,RnRMgr,http
ServerTasks=Router,http
TCPIP=TCP,0,15,0
TCPIP_TCPIPAddress=0,192.1.1.102
Serial1=XPC,1,15,0,
Serial2=XPC,2,15,0,
DST=1
MailType=0
$$HasLANPort=1
Ports=TCPIP
DisabledPorts=Serial1,Serial2
LOG_REPLICATION=0
LOG_SESSIONS=0
ExistingServerName=CN=server1/O=IBM
KeyFilename=/server2/server2.id
ServerKeyFileName=server2.id
MailServer=CN=server2/O=IBM
Domain=IBM
Admin=CN=Domino Administrator/O=IBM
TemplateSetup=700006
Setup=700007
ServerSetup=700003
NAMELOOKUP_TRUST_DIRCAT=0
CleanSetup=1
PhoneLog=2
Log=log.nsf,1,0,7,40000
ServerName=server2/IBM
```

ServerNameNative=03D003D0736572766572322F49424D
FormulaTimeout=120
NSF_QUOTA_METHOD=2
TRANSLOG_AutoFixup=1
TRANSLOG_UseAll=0
TRANSLOG_Style=0
TRANSLOG_Performance=2
TRANSLOG_Status=0
ServerController=0
FaultRecovery=0
LDAPSERVER=ldap://server1.ibm.com:389
SCHEDULE_VERSION=4
SCHEDULE_VERSION_MINOR=7
MTEabled=0
WebAdminSetup=709
DominoConfigLevel=1
EventSetup=700011
TRANSLOG_Path=/logdir/server2
CATALOG_UPDATED_BY_BUILD=510
MailCompactDisabled=1
Previous_TRANSLOG_Path=/server2log/
Previous_TRANSLOG_Style=0
TRANSLOG_MaxSize=5000
CRASH_REMOVE_DATA=0
CRASH_LOGFILE_KB=10240
FILE_RETENTION_DAYS=365
;ServerTasksAt1=Catalog,Design
;ServerTasksAt2=UpdAll
;ServerTasksAt3=Object Info -Full
;ServerTasksAt5=Statlog
CLEANUP_EVENTS4_MESSAGES_VIEW=0
CLEANUP_EVENTS4_STATS_VIEW=0
SCHEDULE_DB_BOSS=1
DELETE_DUPLICATE_PUID_NOTES=0
DDMSetup=700010

(Lotus Domino Mail Server #3)

```
[Notes]
Directory=/server3
KitType=2
Platform_Statistics_Disabled=1
;===== Notesbench settings =====
Server_show_performance=1
Mail_Number_of_Mailboxes=4
NSF_Buffer_Pool_Size_MB=448
NSF_DBcache_MaxEntries=3000
Log_Disable_Session_Info=1
MailLeaveSessionsOpen=1
;===== end of Notesbench settings =====
UserName=
CompanyName=
NotesProgram=/opt/lotus/notes/70000/ibmpow
ASPInstall=0
FaultRecovery_Build=Release 7.0
Timezone=6
DSTLAW=4,1,1,10,-1,1
SHARED_MAIL=0
DisableLDAPOnAdmin=1
Passthru_LogLevel=0
Console_LogLevel=2
DefaultMailTemplate=mail7.ntf
Preferences=32
;ServerTasks=Replica,Router,Update,AMgr,Adminp,Sched,CalConn,RnRMgr,http
ServerTasks=Router,http
TCPIP=TCP,0,15,0
TCPIP_TCPIPAddress=0,192.1.1.103
Serial1=XPC,1,15,0,
Serial2=XPC,2,15,0,
DST=1
MailType=0
$$HasLANPort=1
Ports=TCPIP
DisabledPorts=Serial1,Serial2
LOG_REPLICATION=0
LOG_SESSIONS=0
ExistingServerName=CN=server1/O=IBM
KeyFilename=/server3/server3.id
ServerKeyFileName=server3.id
MailServer=CN=server3/O=IBM
Domain=IBM
Admin=CN=Domino Administrator/O=IBM
TemplateSetup=700006
Setup=700007
ServerSetup=700003
NAMELOOKUP_TRUST_DIRCAT=0
CleanSetup=1
PhoneLog=2
Log=log.nsf,1,0,7,40000
ServerName=server3/IBM
ServerNameNative=03D103D1736572766572332F49424D
FormulaTimeout=120
```

NSF_QUOTA_METHOD=2
TRANSLOG_AutoFixup=1
TRANSLOG_UseAll=0
TRANSLOG_Style=0
TRANSLOG_Performance=2
TRANSLOG_Status=0
ServerController=0
FaultRecovery=0
LDAPSERVER=ldap://server1.ibm.com:389
SCHEDULE_VERSION=4
SCHEDULE_VERSION_MINOR=7
MTEEnabled=0
WebAdminSetup=709
DominoConfigLevel=1
EventSetup=700011
TRANSLOG_Path=/logdir/server3
CATALOG_UPDATED_BY_BUILD=510
MailCompactDisabled=1
Previous_TRANSLOG_Path=/server3log/
Previous_TRANSLOG_Style=0
TRANSLOG_MaxSize=5000
;ServerTasksAt1=Catalog,Design
;ServerTasksAt2=UpdAll
;ServerTasksAt3=Object Info -Full
;ServerTasksAt5=Statlog
CLEANUP_EVENTS4_MESSAGES_VIEW=0
CLEANUP_EVENTS4_STATS_VIEW=0
SCHEDULE_DB_BOSS=1
DDMSetup=700010

(Lotus Domino Mail Server #4)

```
[Notes]
Directory=/server4
KitType=2
Platform_Statistics_Disabled=1
;===== Notesbench settings =====
Server_show_performance=1
Mail_Number_of_Mailboxes=4
NSF_Buffer_Pool_Size_MB=448
NSF_DBcache_MaxEntries=3000
Log_Disable_Session_Info=1
Log_Disable_Session_Info=1
MailLeaveSessionsOpen=1
;===== end of Notesbench settings =====
UserName=
CompanyName=
NotesProgram=/opt/lotus/notes/70000/ibmpow
ASPInstall=0
FaultRecovery_Build=Release 7.0
Timezone=6
DSTLAW=4,1,1,10,-1,1
SHARED_MAIL=0
DisableLDAPOnAdmin=1
Passthru_LogLevel=0
Console_LogLevel=2
DefaultMailTemplate=mail7.ntf
Preferences=32
;ServerTasks=Replica,Router,Update,AMgr,Adminp,Sched,CalConn,RnRMgr,http
ServerTasks=Router,http
TCPIP=TCP,0,15,0
TCPIP_TCPIPAddress=0,192.1.1.104
Serial1=XPC,1,15,0,
Serial2=XPC,2,15,0,
DST=1
MailType=0
$$HasLANPort=1
Ports=TCPIP
DisabledPorts=Serial1,Serial2
LOG_REPLICATION=0
LOG_SESSIONS=0
ExistingServerName=CN=server1/O=IBM
KeyFilename=/server4/server4.id
ServerKeyFileName=server4.id
MailServer=CN=server4/O=IBM
Domain=IBM
Admin=CN=Domino Administrator/O=IBM
TemplateSetup=700006
Setup=700007
ServerSetup=700003
NAMELOOKUP_TRUST_DIRCAT=0
CleanSetup=1
PhoneLog=2
Log=log.nsf,1,0,7,40000
ServerName=server4/IBM
ServerNameNative=03D203D2736572766572342F49424D
```

FormulaTimeout=120
NSF_QUOTA_METHOD=2
TRANSLOG_AutoFixup=1
TRANSLOG_UseAll=0
TRANSLOG_Style=0
TRANSLOG_Performance=2
TRANSLOG_Status=0
ServerController=0
FaultRecovery=0
LDAPSERVER=ldap://server1.ibm.com:389
SCHEDULE_VERSION=4
SCHEDULE_VERSION_MINOR=7
MTEnabled=0
WebAdminSetup=709
DominoConfigLevel=1
EventSetup=700011
TRANSLOG_Path=/logdir/server4
CATALOG_UPDATED_BY_BUILD=510
MailCompactDisabled=1
Previous_TRANSLOG_Path=/server4log/
Previous_TRANSLOG_Style=0
TRANSLOG_MaxSize=5000
;ServerTasksAt1=Catalog,Design
;ServerTasksAt2=UpdAll
;ServerTasksAt3=Object Info -Full
;ServerTasksAt5=Statlog
CLEANUP_EVENTS4_MESSAGES_VIEW=0
CLEANUP_EVENTS4_STATS_VIEW=0
SCHEDULE_DB_BOSS=1
DDMSetup=700010

NotesBench Child Notes.ini settings:

```
[Notes]
;===== Child Driver NotesBench Variables
ResultsDirectory=f:\
DEBUG_OUTFILE=f:\res1
NodeName=child1node
USERNAME=Child1
COMPANYNAME=IBM Austin
MTATEMP=c:\TEMP
Domain=IBM
Tmp=c:\TEMP
NthIteration=6
; 300000 is the large message size iSeries used. For audit this should be 532,000
; Used in GroupwareB tests only
numclients1=1
LargeMessageSize=300,000
NormalMessageSize=10000
NumMailNotesPerUser=100
NumMessageRecipients=3
ThreadStagger=6
; MaxUsers is specified by the iSeries folks. I haven't found this in any docs yet
MaxUsers=2000
MaxSessions=500
MaxDocToDelete=10000
UseServerNAB=1
NB_ThreadStackSize=20000
NotesProgram=C:\LOTUS\notes
MailTemplate=server1!!!iNotes6.ntf
DefaultMailTemplate=mail6.ntf
;===== iNotes stuff
HTTPHost=server1.ibm.com
RecipientDomain=server1.ibm.com
WebAuthenticationOff=1
webpreferencesoff=1
;===== Regular Notes Client stuff
Directory=C:\Lotus\notes\Data
KitType=1
InstallType=2
WinNTIconPath=C:\Lotus\notes\Data\W32
Timezone=6
DST=1
$$HasLANPort=1
WWWDSPP_SYNC_BROWSERCACHE=1
WWWDSPP_PREFETCH_OBJECT=1
EnableJavaApplets=1
EnablePlugins=1
Preferences=2147486833
AltNameLanguage=en
ContentLanguage=en-US
WeekStart=1
ViewWeekStart=2
NavWeekStart=2
XLATE_CSID=52
SPELL_LANG=1033
Region=en-US
Passthru_LogLevel=0
Console_LogLevel=2
VIEWIMP1=Lotus 1-2-3,0,_IWKSV,,.123,.WK1,.WK3,.WK4,.WKS,.WR1,.WRK,,4,
VIEWIMP3=Tabular Text,0,_ITAB,,.PRN,.RPT,.TAB,.TXT,,1,
VIEWIMP4=vCard,0,_IVCRD,,.VCF,,1,
VIEWEXP1=Lotus 1-2-3,0,_XWKS,,.123,.WK1,.WK3,.WK4,.WKS,.WR1,.WRK,,4,
VIEWEXP3=Tabular Text,1,_XTAB,,.CGN,.LTR,.RPT,.TAB,,1,
VIEWEXP4=vCard 2.1,0,_XVCRD,,.VCF,,1,
EDITIMP1=ASCII Text,0,_ITEXT,,.C,.H,.PRN,.RIP,.TXT,,1,
EDITIMP2=Binary with Text,0,_ISTRNGS,,.*,,1,
EDITIMP3=BMP Image,0,_IBMP,,.BMP,,18,
EDITIMP4=CGM Image,0,_IFL,,.CGM,.GMF,,8,
EDITIMP5=GIF Image,0,_IGIF,,.GIF,,18,
EDITIMP6=HTML File,0,_IHTML,,.HTM,.HTML,,1,
EDITIMP7=JPEG Image,0,_IJPEG,,.JPG,,18,
EDITIMP8=Lotus 1-2-3,0,_IW4W,_IWKSE,.123,.WK1,.WK3,.WK4,.WKS,.WR1,.WRK,,4,
```


EDITIMP16=WordPerfect 5.x,0,_IW4W,,.DOC,.WPD,,2,
EDITEXP6=vCard 3.0,0,XVCRD3,,.VCF,,1,
DYNINFOCR_OF58EB5ADB:D63B5189-ONF359B40B:6E878BFE=OF467C3908:6DAE4440-ONA5B08048:FEAEC43B
MailSetup=6023
MailUpgradeFolder=6023
LastHistoryPruneTime=06/02/2003 03:03:25 PM
RequestCertTableUpdate=060203id.id 06/02/2003
WindowSizeBrowse=159 147 322 318
DYNINFOCR_OF6ED6F7C5:4D58D7E1-ON1715044B:8190A16A=OF467C3908:6DAE4440-ONA5B08048:FEAEC43B

Appendix E: Network Configuration

The network for the test environment was a dedicated private Ethernet LAN.

The NotesBench driver systems were connected to a Cisco Catalyst 5000 switch via 100 Mbps Ethernet. The SUT was connected to the switch using two PCI-X 10/100/1000 Mbps integrated Ethernet ports, plus two PCI 10/100 Ethernet cards running at 100 Mbps.

All nodes were part of the same Lotus Notes Domain and Network.

The TCP/IP protocol was used.

Appendix F: Guidelines for Information Usage

This report is intended for IBM Business Partners, clients, and IBM marketing and technical support personnel. The report may be distributed in accordance with the requirements stated in the **Trademarks and Disclaimers** section.

Appendix G: Pricing

The table below lists the system features included in the audited configuration. Prices are current as of October 4, 2005, and are subject to change without notice. Please contact your IBM representative or authorized IBM business partner for specific pricing information.

New IBM System p5 550Q

HW: IBM System, Rack, HMC and Storage				
Type Model	Description	Qty	List Price	* Final Price
p550Q 9133-55A				
	Model 550Q 8-way 1.5 GHz Quad-Core chip module, qty 8 (2x2GB) DIMMs total 32GB, qty 2 73GB 10K rpm internal drives, DVD-ROM, qty 4 10/100 Ethernet ports, Power cable, Rack Mount, qty 2 power cord	1	\$56,443.00	\$45,154.00
7014-T00	Rack 1:Rack Model T00 (Qty 3 48A power cord, front door, Qty 2 Side panels)	1	\$6,790.00	\$4,481.00
7310-C04	HMC 1:7310-C02 Rack-mounted Hardw.Mgmt.Console	1	\$2,677.00	\$2,142.00
7311-D20	I/O Drawer (qty 12, 73.4GB 10K rpm Ultra 320 SCSI drives, Qty 1 RAID adapters, RIO-2 Cable)	6	\$98,494.00	\$78,795.00

SW: IBM System Software, Domino and SWMA				
Type Model	Description	Qty	List Price	* Final Price
5692-A5L	System Software CD-ROM	1	\$50.00	\$40.00
5765-G03	AIX 5L V5.3 Per Processor F5 AIX 5L V5.3	8	\$3,080.00	\$2,464.00
5724-E70	DOMINO MESSAGING 7.0 PER PROCESSOR	8	\$9,160.00	\$9,160.00

5771- SWM	Software Maintenance for AIX, E5 90 day SWMA	8	\$1,192.00	\$954.00
5771- RS1	Rem Support Agr HMC	1	\$250.00	\$200.00

<p style="text-align: center;">* FINAL SALE PRICE: \$143,390.00</p>

*Note: The Prices quoted above were obtained from IBM and are current as of October 4th. Contact your authorized IBM business partner for further information.

Appendix H: Vendor-Defined Information

IBM System p5 family of servers is a new family of IBM UNIX and Linux servers building on the success of the IBM eServer™ p5 and pSeries families of systems. It's designed with the latest POWER5 and advanced virtualization technologies from IBM and runs AIX 5L Version 5.3 operating system. Like its predecessors, the System p5 family delivers outstanding scalability as a Lotus Domino server. In this benchmark, an 8-way System p5 550Q server supported 24,000 concurrent R6iNotes NotesBench users using the new Lotus Domino 7 DWA7 template with an average response time of 932 milliseconds (0.932 seconds) for the required six hour duration of the test.

In addition to impressive capacity and scalability, this benchmark result also demonstrates excellent efficiency of resource utilization, supporting 3,000 Lotus Domino Web Access NotesBench users per processor. This efficiency comes from a combination of processor power and architecture. System p5 servers extend the latest in processor technology with a significant enhancement called simultaneous multi-threading which provides optimum processor utilization by allowing the simultaneous execution of two threads on a single processor. So on a single POWER5 processor, multiple threads of execution of Lotus Domino Web Access processing are occurring simultaneously, thus making extremely efficient use of the physical processor. (For more information on IBM's simultaneous multithreading technology, please refer to the following white paper: <http://www.ibm.com/servers/eserver/series/perfmgmt/pdf/SMT.pdf>)

With the evolution of processor technology, it is increasingly difficult to define exactly what a CPU or processor is. For example, you have to look beyond what a vendor describes as an 8-way or 16-way system. Today's processor technology includes multi-core chips and multi-threaded processors, where it is commonly accepted that a core is essentially the components that provide the processing functions of a CPU. In the case of multi-core chips (multiple cores on a single chip), some vendors may call this a single processor, while others, such as IBM, count each core as a processor. IBM's POWER5 and POWER4™ technologies both use a hardware topology with two physical processors on a single chip. We refer to each of these processors as a core.

For this audit, the p5-550Q hardware that we used is what IBM calls an "8-way." It has eight POWER5+ processors residing on two chips (four processors per chip). In fact, other vendors might actually refer to this type of architecture as a "2-way" because it has only two chips (which makes our performance comparison even more impressive). Similarly, according to the IBM nomenclature, we refer to a system that has 16 processors residing on eight chips as a "16-way," where other vendors might call it an "8-way".

For organizations seeking a scalable infrastructure for their Lotus Domino implementation, POWER5 technology offers an outstanding alternative. Other characteristics of POWER5 architecture combined with AIX 5L V5.3 operating system give organizations great freedom and flexibility in moving resources to meet the demands of their business. By leveraging IBM Virtualization Engine™ systems technologies (including dynamic resource allocation, virtual Ethernet, virtual SCSI and Micro-Partitioning™), organizations can make efficient use of hardware resources and budgets.

This benchmark result is an example of IBM's commitment to the excellence of the System p5 family as a Lotus Domino server platform. Thanks for taking the time to read about it. If you'd like to learn more, please visit our Web site at <http://www.ibm.com/servers/eserver/pseries/>

Appendix I: Lotus Domino Statistics

Show Statistics output after end of run

(24,000 R6iNotes users on IBM System p5 550Q 8-way POWER5+ 1.5 GHz)

Server1 partition

```
> sh stat
Database.DAFailoverCount = 0
Database.DARefreshServerInfoCount = 0
Database.DAReloadCount = 0
Database.Database.BufferPool.Maximum.Megabytes = 448
Database.Database.BufferPool.MM.Reads = 31
Database.Database.BufferPool.MM.Writes = 6
Database.Database.BufferPool.Peak.Megabytes = 446
Database.Database.BufferPool.PerCentReadsInBuffer = 92.46
Database.DbCache.CurrentEntries = 3617
Database.DbCache.DatabaseLinkEntries = 0
Database.DbCache.HighWaterMark = 3763
Database.DbCache.Hits = 1396444
Database.DbCache.InitialDbOpens = 1410294
Database.DbCache.Lookups = 1666602
Database.DbCache.MaxBucketLength = 6
Database.DbCache.MaxEntries = 3000
Database.DbCache.NumBuckets = 3001
Database.DbCache.NumBucketsUsed = 1875
Database.DbCache.OvercrowdingRejections = 0
Database.DbCache.Size = 9754
Database.DbOpen.FoundInDbCacheExpanded = 52826
Database.DbOpen.FoundInDbCacheUnexpanded = 1343617
Database.DbOpen.FoundInDBQ.Expanded = 195334
Database.DbOpen.FoundInDBQ.Unexpanded = 6525935
Database.DbOpen.FoundInDBQ.WithRLock = 6525970
Database.DbOpen.FoundInDBQ.WithWLock = 195334
Database.DbOpen.FoundLinkInDbCache = 0
Database.DbOpen.InitialDbOpens = 1410294
Database.DbOpen.NameExpansionsNeeded = 262138
Database.DBUCache.Added = 866541
Database.DBUCache.AgedOut = 1
Database.DBUCache.Hits = 864300
Database.DBUCache.MaxEntries = 2240
Database.DBUCache.NotCached = 1258937
Database.DBUCache.SecsInCache.Ave = 68
Database.DBUCache.SecsInCache.Max = 705
Database.DBUCache.SecsInCache.Min = 0
Database.ExtMgrPool.Peak = 65,406
Database.ExtMgrPool.Used = 110
Database.FreeHandleStack.FreeHandleStackHits = 8561417
Database.FreeHandleStack.HandleAllocations = 8672030
Database.FreeHandleStack.MissRate = 1
Database.LDAP.NAMELookupBindFailures = 0
Database.LDAP.NAMELookupBinds = 0
Database.LDAP.NAMELookupBytesReceived = 0
Database.LDAP.NAMELookupEntries = 0
Database.LDAP.NAMELookupFailures = 0
```

Database.LDAP.NAMELookupTotal = 0
Database.LDAP.NAMELookupTotalLookupTime = 0
Database.NAMELookupCacheCacheSize = 8,023,744
Database.NAMELookupCacheHashSize = 1,170,818
Database.NAMELookupCacheHits = 16,702
Database.NAMELookupCacheLookups = 540,329
Database.NAMELookupCacheMaxSize = 16,777,216
Database.NAMELookupCacheMisses = 384,823
Database.NAMELookupCacheNoHitHits = 138,804
Database.NAMELookupCachePool.Peak = 16,777,216
Database.NAMELookupCachePool.Used = 16,761,248
Database.NAMELookupCacheResets = 0
Database.NAMELookupMisses = 62
Database.NAMELookupTotal = 372098
Database.NAMELookupTotalLookupTime = 5,664.029
Database.NIFPool.Peak = 1,048,576
Database.NIFPool.Used = 433,408
Database.NSFPool.Peak = 157,286,400
Database.NSFPool.Used = 124,491,328
Database.NSF.ClusterHashTable.EntriesWithSameIndex = 0
Database.NSF.ClusterHashTable.FreedEntriesOnCleanup = 0
Database.NSF.ClusterHashTable.HashedEntries = 0
Database.NSF.ClusterHashTable.HashIsFull = 0
Database.NSF.ClusterHashTable.MissedHashHits = 0
Database.NSF.ClusterHashTable.SuccessfullHashHits = 0
Database.NSF.Replicate.NotesMergedBack = 0
Database.NSF.Replicate.NotesReceived = 0
Database.NSF.Replicate.NotesReopened = 0
Database.NSF.Replicate.NotesSent = 0
Database.NSF.Replicate.SCR.DbOutOfSync = 0
Database.NSF.Replicate.SCR.DeferredEvent = 0
Database.NSF.Replicate.SCR.FolderUpdates = 0
Database.NSF.Replicate.SCR.HeaderUpdates = 0
Database.NSF.Replicate.SCR.NoteUpdates = 0
Database.NSF.Replicate.SCR.SCRMaxQueuedMemory = 0
Database.NSF.Replicate.SCR.SCRPastConserveMem = 0
Database.NSF.Replicate.SCR.SCRPastMaxMem = 0
Database.NSF.Replicate.SCR.SCRSrcSameDb = 0
Database.NSF.Replicate.SCR.SCRSrvDbMatch = 0
Database.NSF.Replicate.SCR.SCRSrvDbOpens = 0
Database.NSF.Replicate.SCR.SCRSrvDbUseLRU = 0
Database.NSF.Replicate.SCR.SCRSrvTotalOps = 0
Database.NSF.Replicate.SCR.UnreadUpdates = 0
Database.NSF.Replicate.UnreadMarks.ChunkLookups = 0
Database.NSF.Replicate.UnreadMarks.ChunksScanned = 0
Database.NSF.Replicate.UnreadMarks.ChunksSkimmed = 0
Database.NSF.Replicate.UnreadMarks.DroppedFutureEntries = 0
Database.NSF.Replicate.UnreadMarks.DroppedOldEntries = 0
Database.NSF.Replicate.UnreadMarks.FullReplications = 0
Database.NSF.Replicate.UnreadMarks.LocalMaxChunks = 12
Database.NSF.Replicate.UnreadMarks.LocalUnreadOperations = 88451
Database.NSF.Replicate.UnreadMarks.MessagesReceived = 0
Database.NSF.Replicate.UnreadMarks.MessagesSent = 0
Database.NSF.Replicate.UnreadMarks.OperationsReceived = 0
Database.NSF.Replicate.UnreadMarks.OperationsSent = 0
Database.NSF.Replicate.UnreadMarks.UsersActive = 298
Database.NSF.Replicate.UnreadMarks.UsersActiveMax = 2001

Database.NSF.SignatureCache.Hits = 1
Database.NSF.SignatureCache.Tries = 2
Database.NSF.UNKS.MemorySaved = -99369983
Database.NSF.UNKS.MemoryUsed = 131072
Database.NSF.UNKS.Shared = 7686066
Database.NSF.UNKS.Total = 7686066
Database.RM.Sys.Logged = Disabled
Disk.Fixed = 11
Disk.Remote = 0
Disk./home.Free = 133,414,912
Disk./home.Size = 134,217,728
Disk./home.Type = jfs2
Disk./opt.Free = 31,834,112
Disk./opt.Size = 134,217,728
Disk./opt.Type = jfs2
Disk./opt/lotus.Free = 223,674,368
Disk./opt/lotus.Size = 805,306,368
Disk./opt/lotus.Type = jfs2
Disk./server1.Free = 494,092,582,912
Disk./server1.Size = 640,218,562,560
Disk./server1.Type = jfs2
Disk./server2.Free = 494,433,583,104
Disk./server2.Size = 640,218,562,560
Disk./server2.Type = jfs2
Disk./server3.Free = 493,904,838,656
Disk./server3.Size = 640,218,562,560
Disk./server3.Type = jfs2
Disk./server4.Free = 494,129,446,912
Disk./server4.Size = 640,218,562,560
Disk./server4.Type = jfs2
Disk./tmp.Free = 659,308,544
Disk./tmp.Size = 3,221,225,472
Disk./tmp.Type = jfs2
Disk./usr.Free = 158,990,336
Disk./usr.Size = 1,207,959,552
Disk./usr.Type = jfs2
Disk./var.Free = 122,195,968
Disk./var.Size = 134,217,728
Disk./var.Type = jfs2
Disk./Free = 118,255,616
Disk./Size = 134,217,728
Disk./Type = jfs2
Domino.Cache.Command.Count = 0
Domino.Cache.Command.DisplaceRate = 0
Domino.Cache.Command.HitRate = 0
Domino.Cache.Command.MaxSize = 128
Domino.Cache.Design.Count = 1,000
Domino.Cache.Design.DisplaceRate = 13.7480610631703
Domino.Cache.Design.HitRate = 86.2395545595108
Domino.Cache.Design.MaxSize = 1,000
Domino.Cache.Forms View Summary.Count = 1
Domino.Cache.Forms View Summary.DisplaceRate = 0
Domino.Cache.Forms View Summary.HitRate = 99.9991502803544
Domino.Cache.FormsCache.Count = 0
Domino.Cache.FormsCache.MaxSize = 256
Domino.Cache.iNote WA Forms file.Count = 1
Domino.Cache.NNotesID.Count = 0

Domino.Cache.NNotesID.MaxSize = 128
Domino.Cache.Note Cache.HitRate = 0
Domino.Cache.Session Cache.Count = 0
Domino.Cache.Session Cache.MaxSize = 1,000
Domino.Cache.Shimmer Profile Cache.Count = 0
Domino.Cache.SkinGroupsCache.Count = 0
Domino.Cache.SkinGroupsCache.MaxSize = 256
Domino.Cache.User Cache.Count = 0
Domino.Cache.User Cache.DisplaceRate = 0
Domino.Cache.User Cache.HitRate = 99.9920230597802
Domino.Cache.User Cache.MaxSize = 128
Domino.Command.CopyToFolder = 0
Domino.Command.CreateDocument = 0
Domino.Command.DeleteDocument = 0
Domino.Command.DeleteDocuments = 0
Domino.Command.EditDocument = 870583
Domino.Command.GetOrbCookie = 0
Domino.Command.MoveToFolder = 0
Domino.Command.Navigate = 0
Domino.Command.OpenAbout = 0
Domino.Command.OpenAgent = 0
Domino.Command.OpenCssResource = 0
Domino.Command.OpenDatabase = 0
Domino.Command.OpenDocument = 1253996
Domino.Command.OpenElement = 0
Domino.Command.OpenFileResource = 5
Domino.Command.OpenForm = 0
Domino.Command.OpenHelp = 0
Domino.Command.OpenIcon = 0
Domino.Command.OpenImageResource = 0
Domino.Command.OpenJavascriptLib = 0
Domino.Command.OpenNavigator = 0
Domino.Command.OpenPreferences = 0
Domino.Command.OpenServer = 0
Domino.Command.OpenView = 0
Domino.Command.OpenWebService = 0
Domino.Command.ReadForm = 0
Domino.Command.Redirect = 0
Domino.Command.RemoveFromFolder = 0
Domino.Command.RequestCert = 0
Domino.Command.SaveDocument = 0
Domino.Command.SearchDomain = 0
Domino.Command.SearchSite = 0
Domino.Command.SearchView = 0
Domino.Command.Total = 2293176
Domino.Command.Unknown = 0
Domino.Command.WSDL = 0
Domino.Config.ActiveThreads.Max = 80
Domino.Config.ActiveThreads.Min = 20
Domino.Config.AllowDirectoryLinks = 1
Domino.Config.Directory.CGI = /server1/domino/cgi-bin
Domino.Config.Directory.HTML = /server1/domino/html
Domino.Config.Directory.Icons = /server1/domino/icons
Domino.Config.Directory.JavaRoot = /server1/domino/java
Domino.Config.DNSLookup = 0
Domino.Config.EnforceAccess = 0
Domino.Config.HomeURL = /homepage.nsf?Open

Domino.Config.HostName = server1.ibm.com
Domino.Config.Image.Format = GIF
Domino.Config.Image.Interlaced = 1
Domino.Config.Log.Access = access
Domino.Config.Log.Error = error
Domino.Config.Log.Filter =
Domino.Config.Log.TimeStamp = 0
Domino.Config.PortNumber = 80
Domino.Config.PortStatus = 1
Domino.Config.SSL.KeyFile = /server1/keyfile.kyr
Domino.Config.SSL.PortNumber = 443
Domino.Config.SSL.Status = 0
Domino.Config.Timeout.CGI = 5
Domino.Config.Timeout.IdleThread = 0
Domino.Config.Timeout.Input = 2
Domino.Config.Timeout.Output = 20
Domino.Config.URLpath.CGI = /cgi-bin
Domino.Config.URLpath.Icons = /icons
Domino.Config.URLpath.JavaRoot = /domjava
Domino.Config.URLpath.Servlet = /servlet
Domino.Config.View.Lines = 30
Domino.Config.WelcomePage = default.htm
Domino.Requests.Per1Day.Peak = 2,292,506
Domino.Requests.Per1Day.PeakTime = 09/22/2005 18:03:04 CDT
Domino.Requests.Per1Day.Total = 2,292,506
Domino.Requests.Per1Hour.Peak = 333,056
Domino.Requests.Per1Hour.PeakTime = 09/22/2005 13:11:29 CDT
Domino.Requests.Per1Hour.Total = 317,923
Domino.Requests.Per1Minute.Peak = 6,056
Domino.Requests.Per1Minute.PeakTime = 09/22/2005 13:06:59 CDT
Domino.Requests.Per1Minute.Total = 0
Domino.Requests.Per5Minute.Peak = 29,030
Domino.Requests.Per5Minute.PeakTime = 09/22/2005 12:20:24 CDT
Domino.Requests.Per5Minute.Total = 18,922
Domino.Requests.Total = 2,292,496
Domino.ThreadPool.average = 65536
Domino.ThreadPool.max = 393216
Domino.Threads.Active.Peak = 78
EVENT.EventDispatcher.Queue.Entries = 0
EVENT.EventDispatcher.Queue.MaxEntries = 30
EVENT.EventDispatcher.Queue.TotalEntries = 269,985
EVENT.EVENTLOG.Queue.Entries = 0
EVENT.EVENTLOG.Queue.MaxEntries = 30
EVENT.EVENTLOG.Queue.TotalEntries = 269,956
EVENT.MaxEventPoolSize = 10,485,760
EVENT.PROBEMGR.Queue.Entries = 0
EVENT.PROBEMGR.Queue.MaxEntries = 36
EVENT.PROBEMGR.Queue.TotalEntries = 269,985
FT.Index.Bytes.PerHour = 0
FT.Index.Count = 2
FT.Index.Documents.Added = 0
FT.Index.Documents.Deleted = 0
FT.Index.Documents.Updated = 0
FT.Index.Total.Bytes = 0
FT.Index.Total.TimeMS = 68
Http.Accept.ConnectionsAccepted = 2413218
Http.Accept.ConnectionsDenied = 0

Http.Accept.ConnectionsRefused = 0
Http.Accept.Errors = 0
Http.Accept.Polls = 2414651
Http.Accept.PollTimeouts = 1432
Http.Accept.ServerBusy = 0
Http.CurrentConnections = 0
Http.JavaCache.Enabled = 1
Http.JavaCache.Entries.Current = 0
Http.JavaCache.Entries.Maximum = 1000
Http.JavaCache.Prune.Run.Interval = 10
Http.JavaCache.Prune.Run.Next = 09/22/2005 18:12:21 CDT
Http.JavaCache.Prune.Time.Locked.Avg = 0
Http.JavaCache.Prune.Time.Locked.Max = 0
Http.JavaCache.Prune.Time.Locked.Min = 0
Http.JavaCache.Prune.Time.Total.Avg = 0
Http.JavaCache.Prune.Time.Total.Max = 0
Http.JavaCache.Prune.Time.Total.Min = 0
Http.JavaCache.Size.Current = 0
Http.JavaCache.Size.Maximum = 4000000
Http.JavaCache.Total.Adds = 0
Http.JavaCache.Total.Adds.Missed = 0
Http.JavaCache.Total.Errors = 0
Http.JavaCache.Total.Hits = 0
Http.JavaCache.Total.Misses = 0
Http.MaxConnections = 2000
Http.PeakConnections = 530
Http.Workers = 80
Http.Worker.Total.BytesRead = 1,127,439,615
Http.Worker.Total.BytesWritten = 49,600,144,116
Http.Worker.Total.Cgi.Requests = 0
Http.Worker.Total.Cgi.RequestTime = 0
Http.Worker.Total.DomWS.Requests = 0
Http.Worker.Total.DomWS.RequestTime = 0
Http.Worker.Total.Dsapi.Requests = 0
Http.Worker.Total.Dsapi.RequestTime = 0
Http.Worker.Total.File.Requests = 0
Http.Worker.Total.File.RequestTime = 0
Http.Worker.Total.Http.Requests = 0
Http.Worker.Total.Http.RequestTime = 0
Http.Worker.Total.IdleSessionTimeouts = 767500
Http.Worker.Total.InputTimeouts = 0
Http.Worker.Total.Notes.Requests = 2413206
Http.Worker.Total.Notes.RequestTime = 904,632,184
Http.Worker.Total.OutputTimeouts = 0
Http.Worker.Total.QuickPlace.Requests = 0
Http.Worker.Total.QuickPlace.RequestTime = 0
Http.Worker.Total.RequestsProcessed = 2413206
Http.Worker.Total.TotalRequestTime = 904,632,184
Mail.AverageDeliverTime = 1
Mail.AverageServerHops = 1
Mail.AverageSizeDelivered = 110
Mail.CurrentByteDeliveryRate = 0
Mail.CurrentByteTransferRate = 0
Mail.CurrentMessageDeliveryRate = 0
Mail.CurrentMessageTransferRate = 0
Mail.DBCacheAged = 0
Mail.DBCacheEntries = 1343

Mail.DBCacheForcedOut = 64501
Mail.DBCacheHighWaterMark = 1344
Mail.DBCacheHits = 23613
Mail.DBCacheMaxEntries = 1344
Mail.DBCacheReads = 89464
MAIL.Dead = 0
Mail.Delivered = 85002
Mail.DeliveredSize.100KB_to_1MB = 8236
Mail.DeliveredSize.10KB_to_100KB = 67734
Mail.DeliveredSize.1KB_to_10KB = 8606
Mail.DeliveredSize.1MB_to_10MB = 426
Mail.Deliveries = 89457
Mail.DeliveryThreads.Active = 0
Mail.DeliveryThreads.Max = 17
Mail.DeliveryThreads.Total = 16
Mail.Domain = IBM
MAIL.Hold = 0
Mail.Mailbox.AccessConflicts = 0
Mail.Mailbox.Accesses = 28182
Mail.Mailbox.AccessWarnings = 171
Mail.Mailbox.CurrentAccesses = 0
Mail.Mailbox.MaxConcurrentAccesses = 4
Mail.Mailbox.Opens = 46815
Mail.MaximumDeliverTime = 17
Mail.MaximumServerHops = 2
Mail.MaximumSizeDelivered = 9767
Mail.MinimumDeliverTime = 1
Mail.MinimumServerHops = 1
Mail.MinimumSizeDelivered = 1
Mail.PeakByteDeliveryRate = 361949
Mail.PeakByteTransferRate = 139928
Mail.PeakMessageDeliveryRate = 4
Mail.PeakMessageDeliveryTime = 09/22/2005 12:15:47 CDT
Mail.PeakMessagesDelivered = 246
Mail.PeakMessagesTransferred = 183
Mail.PeakMessageTransferRate = 3
Mail.PeakMessageTransferTime = 09/22/2005 13:23:25 CDT
Mail.PeakTotalBytesDelivered = 21716991
Mail.PeakTotalBytesTransferred = 8395698
Mail.TotalKBDelivered = 8,123,888
Mail.TotalKBTransferred = 4,489,057
Mail.TotalKBTransferred.NRPC = 4,489,057
Mail.TotalPending = 6
Mail.TotalRouted = 148576
Mail.TotalRouted.NRPC = 148576
Mail.Transferred = 48924
Mail.TransferredSize.100KB_to_1MB = 4774
Mail.TransferredSize.10KB_to_100KB = 39192
Mail.TransferredSize.1KB_to_10KB = 4734
Mail.TransferredSize.1MB_to_10MB = 224
Mail.Transferred.NRPC = 48924
Mail.TransferThreads.Active = 0
Mail.TransferThreads.Concurrent.Highest = 6
Mail.TransferThreads.Concurrent.Max = 8
Mail.TransferThreads.Max = 17
Mail.TransferThreads.Total = 15
MAIL.Waiting = 0

MAIL.WaitingForDIR = 0
MAIL.WaitingForDNS = 0
MAIL.WaitingRecipients = 0
Mem.Allocated = -804534670
Mem.Allocated.Process = -1725556718
Mem.Allocated.Shared = 921022048
Mem.Availability = Plentiful
Mem.bpool.allocation.failures.34A = 362037
Mem.MaxAddressableMemory_MB = 4095
Mem.MaxSharedMemory_MB = 4095
Mem.PhysicalRAM = 33,420,214,272
Mem.PhysicalRAM_MB = 31872
Mem.Reallocs.Down = 2217818
Mem.Reallocs.Same = 884000
Mem.Reallocs.Up = 7410012
NET.GroupCache.Hits = 548
NET.GroupCache.Misses = 12
NET.GroupCache.NumEntries = 7
NET.GroupCache.Size = 65,406
NET.GroupCache.Used = 2,214
NET.Log.server1/IBM.PeakUnwrittenEntries = 6
NET.Log.server1/IBM.UnwrittenEntries = 2
NET.Sessions.DeferredClosed.Current = 0
NET.Sessions.DeferredClosed.Peak = 0
NET.TCPIP.BytesReceived = 3,592,278,406
NET.TCPIP.BytesSent = 3,513,340,806
NET.TCPIP.Sessions.Established.Incoming = 81
NET.TCPIP.Sessions.Established.Outgoing = 45
NET.TCPIP.Sessions.Limit = 65535
NET.TCPIP.Sessions.LimitMax = 65535
NET.TCPIP.Sessions.LimitMin = 10
NET.TCPIP.Sessions.Peak = 87
NET.TCPIP.Sessions.Recycled = 0
NET.TCPIP.Sessions.Recycling = 0
Server.Administrators = CN=Domino Administrator/O=IBM
Server.Administrators.Access = CN=Domino Administrator/O=IBM
Server.AvailabilityIndex = 0
Server.AvailabilityThreshold = 0
Server.BootID = 5492345
Server.ConcurrentTasks = 0
Server.ConcurrentTasks.Max = 8
Server.ConcurrentTasks.Waiting = 0
Server.CPU.Count = 16
Server.ElapsedTime = 07:46:02
Server.ExpansionFactor = 94.8472543638608
Server.MailBoxes = 4
Server.Monitor.Start = 09/22/2005 10:17:44 CDT
Server.Name = CN=server1/O=IBM
Server.Path.Configfile = /server1/notes.ini
Server.Path.Data = /server1
Server.Path.Executable = /opt/lotus/notes/latest/ibmpow/
Server.Ports = TCPIP
Server.PoweredBy = Notes
Server.Sessions.Dropped = 0
Server.SharedMail = 0
Server.Task = Router:
Server.Task = Router:

Server.Version.OS = AIX 3 5
Server.WorkThreads = 40
Stats.Time.Current = 09/22/2005 18:04:17 CDT
Stats.Time.Start = 09/22/2005 10:15:22 CDT
506 statistics found

Server2 partition

```
> sh stat
Database.DAFailoverCount = 0
Database.DARefreshServerInfoCount = 0
Database.DAREloadCount = 0
Database.Database.BufferPool.Maximum.Megabytes = 448
Database.Database.BufferPool.MM.Reads = 31
Database.Database.BufferPool.MM.Writes = 5
Database.Database.BufferPool.Peak.Megabytes = 446
Database.Database.BufferPool.PerCentReadsInBuffer = 92.59
Database.DbCache.CurrentEntries = 3711
Database.DbCache.DatabaseLinkEntries = 0
Database.DbCache.HighWaterMark = 3762
Database.DbCache.Hits = 1395363
Database.DbCache.InitialDbOpens = 1408765
Database.DbCache.Lookups = 1665919
Database.DbCache.MaxBucketLength = 7
Database.DbCache.MaxEntries = 3000
Database.DbCache.NumBuckets = 3001
Database.DbCache.NumBucketsUsed = 1945
Database.DbCache.OvercrowdingRejections = 0
Database.DbCache.Size = 9754
Database.DbOpen.FoundInDbCacheExpanded = 52882
Database.DbOpen.FoundInDbCacheUnexpanded = 1342481
Database.DbOpen.FoundInDBQ.Expanded = 196159
Database.DbOpen.FoundInDBQ.Unexpanded = 6536803
Database.DbOpen.FoundInDBQ.WithRLock = 6536832
Database.DbOpen.FoundInDBQ.WithWLock = 196159
Database.DbOpen.FoundLinkInDbCache = 0
Database.DbOpen.InitialDbOpens = 1408765
Database.DbOpen.NameExpansionsNeeded = 262459
Database.DBUCache.Added = 865779
Database.DBUCache.AgedOut = 1
Database.DBUCache.Hits = 863538
Database.DBUCache.MaxEntries = 2240
Database.DBUCache.NotCached = 1259658
Database.DBUCache.SecsInCache.Ave = 68
Database.DBUCache.SecsInCache.Max = 712
Database.DBUCache.SecsInCache.Min = 0
Database.ExtMgrPool.Peak = 65,406
Database.ExtMgrPool.Used = 110
Database.FreeHandleStack.FreeHandleStackHits = 8569546
Database.FreeHandleStack.HandleAllocations = 8680947
Database.FreeHandleStack.MissRate = 1
Database.LDAP.NAMELookupBindFailures = 0
Database.LDAP.NAMELookupBinds = 0
Database.LDAP.NAMELookupBytesReceived = 0
Database.LDAP.NAMELookupEntries = 0
Database.LDAP.NAMELookupFailures = 0
Database.LDAP.NAMELookupTotal = 0
Database.LDAP.NAMELookupTotalLookupTime = 0
Database.NAMELookupCacheCacheSize = 8,020,348
Database.NAMELookupCacheHashSize = 1,170,818
Database.NAMELookupCacheHits = 16,490
Database.NAMELookupCacheLookups = 508,208
Database.NAMELookupCacheMaxSize = 16,777,216
Database.NAMELookupCacheMisses = 371,386
```

```

Database.NAMELookupCacheNoHitHits = 120,332
Database.NAMELookupCachePool.Peak = 16,777,216
Database.NAMELookupCachePool.Used = 16,768,416
Database.NAMELookupCacheResets = 0
Database.NAMELookupMisses = 62
Database.NAMELookupTotal = 349207
Database.NAMELookupTotalLookupTime = 5,401.823
Database.NIFPool.Peak = 1,048,576
Database.NIFPool.Used = 387,552
Database.NSFPool.Peak = 157,286,400
Database.NSFPool.Used = 126,441,632
Database.NSF.ClusterHashTable.EntriesWithSameIndex = 0
Database.NSF.ClusterHashTable.FreedEntriesOnCleanup = 0
Database.NSF.ClusterHashTable.HashedEntries = 0
Database.NSF.ClusterHashTable.HashIsFull = 0
Database.NSF.ClusterHashTable.MissedHashHits = 0
Database.NSF.ClusterHashTable.SuccessfullHashHits = 0
Database.NSF.Replicate.NotesMergedBack = 0
Database.NSF.Replicate.NotesReceived = 0
Database.NSF.Replicate.NotesReopened = 0
Database.NSF.Replicate.NotesSent = 0
Database.NSF.Replicate.SCR.DbOutOfSync = 0
Database.NSF.Replicate.SCR.DeferredEvent = 0
Database.NSF.Replicate.SCR.FolderUpdates = 0
Database.NSF.Replicate.SCR.HeaderUpdates = 0
Database.NSF.Replicate.SCR.NoteUpdates = 0
Database.NSF.Replicate.SCR.SCRMaxQueuedMemory = 0
Database.NSF.Replicate.SCR.SCRPastConserveMem = 0
Database.NSF.Replicate.SCR.SCRPastMaxMem = 0
Database.NSF.Replicate.SCR.SCRSrcSameDb = 0
Database.NSF.Replicate.SCR.SCRSrvDbMatch = 0
Database.NSF.Replicate.SCR.SCRSrvDbOpens = 0
Database.NSF.Replicate.SCR.SCRSrvDbUseLRU = 0
Database.NSF.Replicate.SCR.SCRSrvTotalOps = 0
Database.NSF.Replicate.SCR.UnreadUpdates = 0
Database.NSF.Replicate.UnreadMarks.ChunkLookups = 0
Database.NSF.Replicate.UnreadMarks.ChunksScanned = 0
Database.NSF.Replicate.UnreadMarks.ChunksSkimmed = 0
Database.NSF.Replicate.UnreadMarks.DroppedFutureEntries = 0
Database.NSF.Replicate.UnreadMarks.DroppedOldEntries = 0
Database.NSF.Replicate.UnreadMarks.FullReplications = 0
Database.NSF.Replicate.UnreadMarks.LocalMaxChunks = 12
Database.NSF.Replicate.UnreadMarks.LocalUnreadOperations = 88012
Database.NSF.Replicate.UnreadMarks.MessagesReceived = 0
Database.NSF.Replicate.UnreadMarks.MessagesSent = 0
Database.NSF.Replicate.UnreadMarks.OperationsReceived = 0
Database.NSF.Replicate.UnreadMarks.OperationsSent = 0
Database.NSF.Replicate.UnreadMarks.UsersActive = 312
Database.NSF.Replicate.UnreadMarks.UsersActiveMax = 1977
Database.NSF.SignatureCache.Hits = 1
Database.NSF.SignatureCache.Tries = 2
Database.NSF.UNKS.MemorySaved = -109775251
Database.NSF.UNKS.MemoryUsed = 131072
Database.NSF.UNKS.Shared = 7811322
Database.NSF.UNKS.Total = 7811322
Database.RM.Sys.Logged = Disabled
Disk.Fixed = 11

```

Disk.Remote = 0
Disk./home.Free = 133,414,912
Disk./home.Size = 134,217,728
Disk./home.Type = jfs2
Disk./opt.Free = 31,834,112
Disk./opt.Size = 134,217,728
Disk./opt.Type = jfs2
Disk./opt/lotus.Free = 223,674,368
Disk./opt/lotus.Size = 805,306,368
Disk./opt/lotus.Type = jfs2
Disk./server1.Free = 494,047,379,456
Disk./server1.Size = 640,218,562,560
Disk./server1.Type = jfs2
Disk./server2.Free = 494,385,471,488
Disk./server2.Size = 640,218,562,560
Disk./server2.Type = jfs2
Disk./server3.Free = 493,877,805,056
Disk./server3.Size = 640,218,562,560
Disk./server3.Type = jfs2
Disk./server4.Free = 494,083,547,136
Disk./server4.Size = 640,218,562,560
Disk./server4.Type = jfs2
Disk./tmp.Free = 659,144,704
Disk./tmp.Size = 3,221,225,472
Disk./tmp.Type = jfs2
Disk./usr.Free = 158,990,336
Disk./usr.Size = 1,207,959,552
Disk./usr.Type = jfs2
Disk./var.Free = 122,195,968
Disk./var.Size = 134,217,728
Disk./var.Type = jfs2
Disk./Free = 118,255,616
Disk./Size = 134,217,728
Disk./Type = jfs2
Domino.Cache.Command.Count = 0
Domino.Cache.Command.DisplaceRate = 0
Domino.Cache.Command.HitRate = 0
Domino.Cache.Command.MaxSize = 128
Domino.Cache.Design.Count = 1,000
Domino.Cache.Design.DisplaceRate = 13.7317699589226
Domino.Cache.Design.HitRate = 86.2558352926332
Domino.Cache.Design.MaxSize = 1,000
Domino.Cache.Forms View Summary.Count = 1
Domino.Cache.Forms View Summary.DisplaceRate = 0
Domino.Cache.Forms View Summary.HitRate = 99.9996016950795
Domino.Cache.FormsCache.Count = 0
Domino.Cache.FormsCache.MaxSize = 256
Domino.Cache.iNote WA Forms file.Count = 1
Domino.Cache.NNotesID.Count = 0
Domino.Cache.NNotesID.MaxSize = 128
Domino.Cache.Note Cache.HitRate = 0
Domino.Cache.Session Cache.Count = 0
Domino.Cache.Session Cache.MaxSize = 1,000
Domino.Cache.Shimmer Profile Cache.Count = 0
Domino.Cache.SkinGroupsCache.Count = 0
Domino.Cache.SkinGroupsCache.MaxSize = 256
Domino.Cache.User Cache.Count = 0

Domino.Cache.User Cache.DisplaceRate = 0
Domino.Cache.User Cache.HitRate = 99.9918367177804
Domino.Cache.User Cache.MaxSize = 128
Domino.Command.CopyToFolder = 0
Domino.Command.CreateDocument = 0
Domino.Command.DeleteDocument = 0
Domino.Command.DeleteDocuments = 0
Domino.Command.EditDocument = 870560
Domino.Command.GetOrbCookie = 0
Domino.Command.MoveToFolder = 0
Domino.Command.Navigate = 0
Domino.Command.OpenAbout = 0
Domino.Command.OpenAgent = 0
Domino.Command.OpenCssResource = 0
Domino.Command.OpenDatabase = 0
Domino.Command.OpenDocument = 1254125
Domino.Command.OpenElement = 0
Domino.Command.OpenFileResource = 5
Domino.Command.OpenForm = 0
Domino.Command.OpenHelp = 0
Domino.Command.OpenIcon = 0
Domino.Command.OpenImageResource = 0
Domino.Command.OpenJavascriptLib = 0
Domino.Command.OpenNavigator = 0
Domino.Command.OpenPreferences = 0
Domino.Command.OpenServer = 0
Domino.Command.OpenView = 0
Domino.Command.OpenWebService = 0
Domino.Command.ReadForm = 0
Domino.Command.Redirect = 0
Domino.Command.RemoveFromFolder = 0
Domino.Command.RequestCert = 0
Domino.Command.SaveDocument = 0
Domino.Command.SearchDomain = 0
Domino.Command.SearchSite = 0
Domino.Command.SearchView = 0
Domino.Command.Total = 2293225
Domino.Command.Unknown = 0
Domino.Command.WSDL = 0
Domino.Config.ActiveThreads.Max = 80
Domino.Config.ActiveThreads.Min = 20
Domino.Config.AllowDirectoryLinks = 1
Domino.Config.Directory.CGI = /server2/domino/cgi-bin
Domino.Config.Directory.HTML = /server2/domino/html
Domino.Config.Directory.Icons = /server2/domino/icons
Domino.Config.Directory.JavaRoot = /server2/domino/java
Domino.Config.DNSLookup = 0
Domino.Config.EnforceAccess = 0
Domino.Config.HomeURL = /homepage.nsf?Open
Domino.Config.HostName = server2.ibm.com
Domino.Config.Image.Format = GIF
Domino.Config.Image.Interlaced = 1
Domino.Config.Log.Access = access
Domino.Config.Log.Error = error
Domino.Config.Log.Filter =
Domino.Config.Log.TimeStamp = 0
Domino.Config.PortNumber = 80

Domino.Config.PortStatus = 1
Domino.Config.SSL.KeyFile = /server2/keyfile.kyr
Domino.Config.SSL.PortNumber = 443
Domino.Config.SSL.Status = 0
Domino.Config.Timeout.CGI = 5
Domino.Config.Timeout.IdleThread = 0
Domino.Config.Timeout.Input = 2
Domino.Config.Timeout.Output = 20
Domino.Config.URLpath.CGI = /cgi-bin
Domino.Config.URLpath.Icons = /icons
Domino.Config.URLpath.JavaRoot = /domjava
Domino.Config.URLpath.Servlet = /servlet
Domino.Config.View.Lines = 30
Domino.Config.WelcomePage = default.htm
Domino.Requests.Per1Day.Peak = 2,292,637
Domino.Requests.Per1Day.PeakTime = 09/22/2005 18:03:05 CDT
Domino.Requests.Per1Day.Total = 2,292,637
Domino.Requests.Per1Hour.Peak = 332,890
Domino.Requests.Per1Hour.PeakTime = 09/22/2005 14:32:25 CDT
Domino.Requests.Per1Hour.Total = 315,545
Domino.Requests.Per1Minute.Peak = 6,021
Domino.Requests.Per1Minute.PeakTime = 09/22/2005 13:07:20 CDT
Domino.Requests.Per1Minute.Total = 0
Domino.Requests.Per5Minute.Peak = 28,981
Domino.Requests.Per5Minute.PeakTime = 09/22/2005 12:22:05 CDT
Domino.Requests.Per5Minute.Total = 17,406
Domino.Requests.Total = 2,292,631
Domino.ThreadPool.average = 65536
Domino.ThreadPool.max = 393216
Domino.Threads.Active.Peak = 76
EVENT.EventDispatcher.Queue.Entries = 0
EVENT.EventDispatcher.Queue.MaxEntries = 33
EVENT.EventDispatcher.Queue.TotalEntries = 278,762
EVENT.EVENTLOG.Queue.Entries = 0
EVENT.EVENTLOG.Queue.MaxEntries = 33
EVENT.EVENTLOG.Queue.TotalEntries = 278,733
EVENT.MaxEventPoolSize = 10,485,760
EVENT.PROBEMGR.Queue.Entries = 0
EVENT.PROBEMGR.Queue.MaxEntries = 57
EVENT.PROBEMGR.Queue.TotalEntries = 278,762
FT.Index.Bytes.PerHour = 0
FT.Index.Count = 2
FT.Index.Documents.Added = 0
FT.Index.Documents.Deleted = 0
FT.Index.Documents.Updated = 0
FT.Index.Total.Bytes = 0
FT.Index.Total.TimeMS = 76
Http.Accept.ConnectionsAccepted = 2413251
Http.Accept.ConnectionsDenied = 0
Http.Accept.ConnectionsRefused = 0
Http.Accept.Errors = 0
Http.Accept.Polls = 2414813
Http.Accept.PollTimeouts = 1561
Http.Accept.ServerBusy = 0
Http.CurrentConnections = 0
Http.JavaCache.Enabled = 1
Http.JavaCache.Entries.Current = 0

Http.JavaCache.Entries.Maximum = 1000
Http.JavaCache.Prune.Run.Interval = 10
Http.JavaCache.Prune.Run.Next = 09/22/2005 18:11:50 CDT
Http.JavaCache.Prune.Time.Locked.Avg = 0
Http.JavaCache.Prune.Time.Locked.Max = 0
Http.JavaCache.Prune.Time.Locked.Min = 0
Http.JavaCache.Prune.Time.Total.Avg = 0
Http.JavaCache.Prune.Time.Total.Max = 0
Http.JavaCache.Prune.Time.Total.Min = 0
Http.JavaCache.Size.Current = 0
Http.JavaCache.Size.Maximum = 4000000
Http.JavaCache.Total.Adds = 0
Http.JavaCache.Total.Adds.Missed = 0
Http.JavaCache.Total.Errors = 0
Http.JavaCache.Total.Hits = 0
Http.JavaCache.Total.Misses = 0
Http.MaxConnections = 2000
Http.PeakConnections = 464
Http.Workers = 80
Http.Worker.Total.BytesRead = 1,123,038,530
Http.Worker.Total.BytesWritten = 49,778,882,464
Http.Worker.Total.Cgi.Requests = 0
Http.Worker.Total.Cgi.RequestTime = 0
Http.Worker.Total.DomWS.Requests = 0
Http.Worker.Total.DomWS.RequestTime = 0
Http.Worker.Total.Dsapi.Requests = 0
Http.Worker.Total.Dsapi.RequestTime = 0
Http.Worker.Total.File.Requests = 0
Http.Worker.Total.File.RequestTime = 0
Http.Worker.Total.Http.Requests = 0
Http.Worker.Total.Http.RequestTime = 0
Http.Worker.Total.IdleSessionTimeouts = 346500
Http.Worker.Total.InputTimeouts = 0
Http.Worker.Total.Notes.Requests = 2413245
Http.Worker.Total.Notes.RequestTime = 894,593,466
Http.Worker.Total.OutputTimeouts = 0
Http.Worker.Total.QuickPlace.Requests = 0
Http.Worker.Total.QuickPlace.RequestTime = 0
Http.Worker.Total.RequestsProcessed = 2413245
Http.Worker.Total.TotalRequestTime = 894,593,466
Mail.AverageDeliverTime = 1
Mail.AverageServerHops = 1
Mail.AverageSizeDelivered = 106
Mail.CurrentByteDeliveryRate = 0
Mail.CurrentByteTransferRate = 0
Mail.CurrentMessageDeliveryRate = 0
Mail.CurrentMessageTransferRate = 0
Mail.DBCacheAged = 0
Mail.DBCacheEntries = 1343
Mail.DBCacheForcedOut = 64818
Mail.DBCacheHighWaterMark = 1344
Mail.DBCacheHits = 23349
Mail.DBCacheMaxEntries = 1344
Mail.DBCacheReads = 89524
MAIL.Dead = 0
Mail.Delivered = 85327
Mail.DeliveredSize.100KB_to_1MB = 8162

Mail.DeliveredSize.10KB_to_100KB = 68120
Mail.DeliveredSize.1KB_to_10KB = 8633
Mail.DeliveredSize.1MB_to_10MB = 412
Mail.Deliveries = 89510
Mail.DeliveryThreads.Active = 0
Mail.DeliveryThreads.Max = 17
Mail.DeliveryThreads.Total = 17
Mail.Domain = IBM
MAIL.Hold = 0
Mail.Mailbox.AccessConflicts = 2
Mail.Mailbox.Accesses = 28224
Mail.Mailbox.AccessWarnings = 174
Mail.Mailbox.CurrentAccesses = 0
Mail.Mailbox.MaxConcurrentAccesses = 5
Mail.Mailbox.Opens = 47562
Mail.MaximumDeliverTime = 15
Mail.MaximumServerHops = 2
Mail.MaximumSizeDelivered = 9767
Mail.MinimumDeliverTime = 1
Mail.MinimumServerHops = 1
Mail.MinimumSizeDelivered = 1
Mail.PeakByteDeliveryRate = 216775
Mail.PeakByteTransferRate = 106352
Mail.PeakMessageDeliveryRate = 4
Mail.PeakMessageDeliveryTime = 09/22/2005 12:14:51 CDT
Mail.PeakMessagesDelivered = 245
Mail.PeakMessagesTransferred = 124
Mail.PeakMessageTransferRate = 2
Mail.PeakMessageTransferTime = 09/22/2005 11:34:32 CDT
Mail.PeakTotalBytesDelivered = 13006551
Mail.PeakTotalBytesTransferred = 6381176
Mail.TotalKBDelivered = 7,995,712
Mail.TotalKBTransferred = 5,153,398
Mail.TotalKBTransferred.NRPC = 5,153,398
Mail.TotalPending = 6
Mail.TotalRouted = 148747
Mail.TotalRouted.NRPC = 148747
Mail.Transferred = 49026
Mail.TransferredSize.100KB_to_1MB = 4699
Mail.TransferredSize.10KB_to_100KB = 39069
Mail.TransferredSize.1KB_to_10KB = 4963
Mail.TransferredSize.1MB_to_10MB = 295
Mail.Transferred.NRPC = 49026
Mail.TransferThreads.Active = 0
Mail.TransferThreads.Concurrent.Highest = 5
Mail.TransferThreads.Concurrent.Max = 8
Mail.TransferThreads.Max = 17
Mail.TransferThreads.Total = 13
MAIL.Waiting = 0
MAIL.WaitingForDIR = 0
MAIL.WaitingForDNS = 0
MAIL.WaitingRecipients = 0
Mem.Allocated = -805273356
Mem.Allocated.Process = -1725239834
Mem.Allocated.Shared = 919966478
Mem.Availability = Plentiful
Mem.bpool.allocation.failures.34A = 349704

```

Mem.MaxAddressableMemory_MB = 4095
Mem.MaxSharedMemory_MB = 4095
Mem.PhysicalRAM = 33,420,214,272
Mem.PhysicalRAM_MB = 31872
Mem.Reallocs.Down = 2161037
Mem.Reallocs.Same = 879233
Mem.Reallocs.Up = 7204219
Monitor.Last.Server.Warning(High) = 578
Monitor.Last.Server.Warning(High)Text = Special database object cannot be
located
Monitor.Server.Warning(High) = 63
NET.GroupCache.Hits = 552
NET.GroupCache.Misses = 12
NET.GroupCache.NumEntries = 7
NET.GroupCache.Size = 65,406
NET.GroupCache.Used = 2,214
NET.Log.server2/IBM.PeakUnwrittenEntries = 6
NET.Log.server2/IBM.UnwrittenEntries = 2
NET.Sessions.DeferredClosed.Current = 0
NET.Sessions.DeferredClosed.Peak = 0
NET.TCPIP.BytesReceived = 3,495,649,552
NET.TCPIP.BytesSent = 3,853,900,370
NET.TCPIP.Sessions.Established.Incoming = 53
NET.TCPIP.Sessions.Established.Outgoing = 39
NET.TCPIP.Sessions.Limit = 65535
NET.TCPIP.Sessions.LimitMax = 65535
NET.TCPIP.Sessions.LimitMin = 10
NET.TCPIP.Sessions.Peak = 82
NET.TCPIP.Sessions.Recycled = 0
NET.TCPIP.Sessions.Recycling = 0
Server.Administrators = CN=Domino Administrator/O=IBM
Server.Administrators.Access = CN=Domino Administrator/O=IBM
Server.AvailabilityIndex = 65
Server.AvailabilityThreshold = 0
Server.BootID = 5493011
Server.ConcurrentTasks = 0
Server.ConcurrentTasks.Max = 8
Server.ConcurrentTasks.Waiting = 0
Server.CPU.Count = 16
Server.ElapsedTime = 07:46:29
Server.ExpansionFactor = 4.268564937081
Server.MailBoxes = 4
Server.Monitor.Start = 09/22/2005 10:17:52 CDT
Server.Name = CN=server2/O=IBM
Server.Path.Configfile = /server2/notes.ini
Server.Path.Data = /server2
Server.Path.Executable = /opt/lotus/notes/latest/ibmpow/
Server.Ports = TCPIP
Server.PoweredBy = Notes
Server.Sessions.Dropped = 0
Server.SharedMail = 0
Server.Task = Router:
Server.Task = Router:
Server.Task = Router:
Server.Task = Router:
Server.Task = Router:
Server.Task = Router:

```


Server3 partition

```
> sh stat
Database.DAFailoverCount = 0
Database.DARefreshServerInfoCount = 0
Database.DAREloadCount = 0
Database.Database.BufferPool.Maximum.Megabytes = 448
Database.Database.BufferPool.MM.Reads = 31
Database.Database.BufferPool.MM.Writes = 5
Database.Database.BufferPool.Peak.Megabytes = 446
Database.Database.BufferPool.PerCentReadsInBuffer = 92.6
Database.DbCache.CurrentEntries = 3600
Database.DbCache.DatabaseLinkEntries = 0
Database.DbCache.HighWaterMark = 3761
Database.DbCache.Hits = 1391251
Database.DbCache.InitialDbOpens = 1404623
Database.DbCache.Lookups = 1663362
Database.DbCache.MaxBucketLength = 7
Database.DbCache.MaxEntries = 3000
Database.DbCache.NumBuckets = 3001
Database.DbCache.NumBucketsUsed = 1879
Database.DbCache.OvercrowdingRejections = 0
Database.DbCache.Size = 9754
Database.DbOpen.FoundInDbCacheExpanded = 53774
Database.DbOpen.FoundInDbCacheUnexpanded = 1337477
Database.DbOpen.FoundInDBQ.Expanded = 196495
Database.DbOpen.FoundInDBQ.Unexpanded = 6545796
Database.DbOpen.FoundInDBQ.WithRLock = 6545824
Database.DbOpen.FoundInDBQ.WithWLock = 196495
Database.DbOpen.FoundLinkInDbCache = 0
Database.DbOpen.InitialDbOpens = 1404623
Database.DbOpen.NameExpansionsNeeded = 263728
Database.DBUCache.Added = 870315
Database.DBUCache.AgedOut = 1
Database.DBUCache.Hits = 868074
Database.DBUCache.MaxEntries = 2240
Database.DBUCache.NotCached = 1256505
Database.DBUCache.SecsInCache.Ave = 67
Database.DBUCache.SecsInCache.Max = 720
Database.DBUCache.SecsInCache.Min = 0
Database.ExtMgrPool.Peak = 65,406
Database.ExtMgrPool.Used = 110
Database.FreeHandleStack.FreeHandleStackHits = 8576097
Database.FreeHandleStack.HandleAllocations = 8686839
Database.FreeHandleStack.MissRate = 1
Database.LDAP.NAMELookupBindFailures = 0
Database.LDAP.NAMELookupBinds = 0
Database.LDAP.NAMELookupBytesReceived = 0
Database.LDAP.NAMELookupEntries = 0
Database.LDAP.NAMELookupFailures = 0
Database.LDAP.NAMELookupTotal = 0
Database.LDAP.NAMELookupTotalLookupTime = 0
Database.NAMELookupCacheCacheSize = 8,024,400
Database.NAMELookupCacheHashSize = 1,170,818
Database.NAMELookupCacheHits = 16,594
Database.NAMELookupCacheLookups = 508,788
Database.NAMELookupCacheMaxSize = 16,777,216
Database.NAMELookupCacheMisses = 371,681
```

```

Database.NAMELookupCacheNoHitHits = 120,513
Database.NAMELookupCachePool.Peak = 16,777,216
Database.NAMELookupCachePool.Used = 16,771,488
Database.NAMELookupCacheResets = 0
Database.NAMELookupMisses = 62
Database.NAMELookupTotal = 349501
Database.NAMELookupTotalLookupTime = 5,585.749
Database.NIFPool.Peak = 1,048,576
Database.NIFPool.Used = 378,624
Database.NSFPool.Peak = 157,286,400
Database.NSFPool.Used = 124,215,328
Database.NSF.ClusterHashTable.EntriesWithSameIndex = 0
Database.NSF.ClusterHashTable.FreedEntriesOnCleanup = 0
Database.NSF.ClusterHashTable.HashedEntries = 0
Database.NSF.ClusterHashTable.HashIsFull = 0
Database.NSF.ClusterHashTable.MissedHashHits = 0
Database.NSF.ClusterHashTable.SuccessfullHashHits = 0
Database.NSF.Replicate.NotesMergedBack = 0
Database.NSF.Replicate.NotesReceived = 0
Database.NSF.Replicate.NotesReopened = 0
Database.NSF.Replicate.NotesSent = 0
Database.NSF.Replicate.SCR.DbOutOfSync = 0
Database.NSF.Replicate.SCR.DeferredEvent = 0
Database.NSF.Replicate.SCR.FolderUpdates = 0
Database.NSF.Replicate.SCR.HeaderUpdates = 0
Database.NSF.Replicate.SCR.NoteUpdates = 0
Database.NSF.Replicate.SCR.SCRMaxQueuedMemory = 0
Database.NSF.Replicate.SCR.SCRPastConserveMem = 0
Database.NSF.Replicate.SCR.SCRPastMaxMem = 0
Database.NSF.Replicate.SCR.SCRSrcSameDb = 0
Database.NSF.Replicate.SCR.SCRSrvDbMatch = 0
Database.NSF.Replicate.SCR.SCRSrvDbOpens = 0
Database.NSF.Replicate.SCR.SCRSrvDbUseLRU = 0
Database.NSF.Replicate.SCR.SCRSrvTotalOps = 0
Database.NSF.Replicate.SCR.UnreadUpdates = 0
Database.NSF.Replicate.UnreadMarks.ChunkLookups = 0
Database.NSF.Replicate.UnreadMarks.ChunksScanned = 0
Database.NSF.Replicate.UnreadMarks.ChunksSkimmed = 0
Database.NSF.Replicate.UnreadMarks.DroppedFutureEntries = 0
Database.NSF.Replicate.UnreadMarks.DroppedOldEntries = 0
Database.NSF.Replicate.UnreadMarks.FullReplications = 0
Database.NSF.Replicate.UnreadMarks.LocalMaxChunks = 12
Database.NSF.Replicate.UnreadMarks.LocalUnreadOperations = 88340
Database.NSF.Replicate.UnreadMarks.MessagesReceived = 0
Database.NSF.Replicate.UnreadMarks.MessagesSent = 0
Database.NSF.Replicate.UnreadMarks.OperationsReceived = 0
Database.NSF.Replicate.UnreadMarks.OperationsSent = 0
Database.NSF.Replicate.UnreadMarks.UsersActive = 307
Database.NSF.Replicate.UnreadMarks.UsersActiveMax = 1996
Database.NSF.SignatureCache.Hits = 1
Database.NSF.SignatureCache.Tries = 2
Database.NSF.UNKS.MemorySaved = -108922080
Database.NSF.UNKS.MemoryUsed = 131072
Database.NSF.UNKS.Shared = 7663195
Database.NSF.UNKS.Total = 7663195
Database.RM.Sys.Logged = Disabled
Disk.Fixed = 11

```

Disk.Remote = 0
Disk./home.Free = 133,414,912
Disk./home.Size = 134,217,728
Disk./home.Type = jfs2
Disk./opt.Free = 31,834,112
Disk./opt.Size = 134,217,728
Disk./opt.Type = jfs2
Disk./opt/lotus.Free = 223,674,368
Disk./opt/lotus.Size = 805,306,368
Disk./opt/lotus.Type = jfs2
Disk./server1.Free = 494,078,050,304
Disk./server1.Size = 640,218,562,560
Disk./server1.Type = jfs2
Disk./server2.Free = 494,417,612,800
Disk./server2.Size = 640,218,562,560
Disk./server2.Type = jfs2
Disk./server3.Free = 493,894,889,472
Disk./server3.Size = 640,218,562,560
Disk./server3.Type = jfs2
Disk./server4.Free = 494,118,273,024
Disk./server4.Size = 640,218,562,560
Disk./server4.Type = jfs2
Disk./tmp.Free = 659,247,104
Disk./tmp.Size = 3,221,225,472
Disk./tmp.Type = jfs2
Disk./usr.Free = 158,990,336
Disk./usr.Size = 1,207,959,552
Disk./usr.Type = jfs2
Disk./var.Free = 122,195,968
Disk./var.Size = 134,217,728
Disk./var.Type = jfs2
Disk./Free = 118,255,616
Disk./Size = 134,217,728
Disk./Type = jfs2
Domino.Cache.Command.Count = 0
Domino.Cache.Command.DisplaceRate = 0
Domino.Cache.Command.HitRate = 0
Domino.Cache.Command.MaxSize = 128
Domino.Cache.Design.Count = 1,000
Domino.Cache.Design.DisplaceRate = 13.7381925456437
Domino.Cache.Design.HitRate = 86.2494206051273
Domino.Cache.Design.MaxSize = 1,000
Domino.Cache.Forms View Summary.Count = 1
Domino.Cache.Forms View Summary.DisplaceRate = 0
Domino.Cache.Forms View Summary.HitRate = 99.9993631087089
Domino.Cache.FormsCache.Count = 0
Domino.Cache.FormsCache.MaxSize = 256
Domino.Cache.iNote WA Forms file.Count = 1
Domino.Cache.NNotesID.Count = 0
Domino.Cache.NNotesID.MaxSize = 128
Domino.Cache.Note Cache.HitRate = 0
Domino.Cache.Session Cache.Count = 0
Domino.Cache.Session Cache.MaxSize = 1,000
Domino.Cache.Shimmer Profile Cache.Count = 0
Domino.Cache.SkinGroupsCache.Count = 0
Domino.Cache.SkinGroupsCache.MaxSize = 256
Domino.Cache.User Cache.Count = 0

Domino.Cache.User Cache.DisplaceRate = 0
Domino.Cache.User Cache.HitRate = 99.9919660520144
Domino.Cache.User Cache.MaxSize = 128
Domino.Command.CopyToFolder = 0
Domino.Command.CreateDocument = 0
Domino.Command.DeleteDocument = 0
Domino.Command.DeleteDocuments = 0
Domino.Command.EditDocument = 871280
Domino.Command.GetOrbCookie = 0
Domino.Command.MoveToFolder = 0
Domino.Command.Navigate = 0
Domino.Command.OpenAbout = 0
Domino.Command.OpenAgent = 0
Domino.Command.OpenCssResource = 0
Domino.Command.OpenDatabase = 0
Domino.Command.OpenDocument = 1254797
Domino.Command.OpenElement = 0
Domino.Command.OpenFileResource = 5
Domino.Command.OpenForm = 0
Domino.Command.OpenHelp = 0
Domino.Command.OpenIcon = 0
Domino.Command.OpenImageResource = 0
Domino.Command.OpenJavascriptLib = 0
Domino.Command.OpenNavigator = 0
Domino.Command.OpenPreferences = 0
Domino.Command.OpenServer = 0
Domino.Command.OpenView = 0
Domino.Command.OpenWebService = 0
Domino.Command.ReadForm = 0
Domino.Command.Redirect = 0
Domino.Command.RemoveFromFolder = 0
Domino.Command.RequestCert = 0
Domino.Command.SaveDocument = 0
Domino.Command.SearchDomain = 0
Domino.Command.SearchSite = 0
Domino.Command.SearchView = 0
Domino.Command.Total = 2294737
Domino.Command.Unknown = 0
Domino.Command.WSDL = 0
Domino.Config.ActiveThreads.Max = 80
Domino.Config.ActiveThreads.Min = 20
Domino.Config.AllowDirectoryLinks = 1
Domino.Config.Directory.CGI = /server3/domino/cgi-bin
Domino.Config.Directory.HTML = /server3/domino/html
Domino.Config.Directory.Icons = /server3/domino/icons
Domino.Config.Directory.JavaRoot = /server3/domino/java
Domino.Config.DNSLookup = 0
Domino.Config.EnforceAccess = 0
Domino.Config.HomeURL = /homepage.nsf?Open
Domino.Config.HostName = server3.ibm.com
Domino.Config.Image.Format = GIF
Domino.Config.Image.Interlaced = 1
Domino.Config.Log.Access = access
Domino.Config.Log.Error = error
Domino.Config.Log.Filter =
Domino.Config.Log.TimeStamp = 0
Domino.Config.PortNumber = 80

Domino.Config.PortStatus = 1
Domino.Config.SSL.KeyFile = /server3/keyfile.kyr
Domino.Config.SSL.PortNumber = 443
Domino.Config.SSL.Status = 0
Domino.Config.Timeout.CGI = 5
Domino.Config.Timeout.IdleThread = 0
Domino.Config.Timeout.Input = 2
Domino.Config.Timeout.Output = 20
Domino.Config.URLpath.CGI = /cgi-bin
Domino.Config.URLpath.Icons = /icons
Domino.Config.URLpath.JavaRoot = /domjava
Domino.Config.URLpath.Servlet = /servlet
Domino.Config.View.Lines = 30
Domino.Config.WelcomePage = default.htm
Domino.Requests.Per1Day.Peak = 2,294,176
Domino.Requests.Per1Day.PeakTime = 09/22/2005 18:03:16 CDT
Domino.Requests.Per1Day.Total = 2,294,176
Domino.Requests.Per1Hour.Peak = 332,914
Domino.Requests.Per1Hour.PeakTime = 09/22/2005 14:18:16 CDT
Domino.Requests.Per1Hour.Total = 318,915
Domino.Requests.Per1Minute.Peak = 5,967
Domino.Requests.Per1Minute.PeakTime = 09/22/2005 12:21:26 CDT
Domino.Requests.Per1Minute.Total = 0
Domino.Requests.Per5Minute.Peak = 29,230
Domino.Requests.Per5Minute.PeakTime = 09/22/2005 12:21:36 CDT
Domino.Requests.Per5Minute.Total = 17,148
Domino.Requests.Total = 2,294,165
Domino.ThreadPool.average = 65536
Domino.ThreadPool.max = 393216
Domino.Threads.Active.Peak = 76
EVENT.EventDispatcher.Queue.Entries = 0
EVENT.EventDispatcher.Queue.MaxEntries = 28
EVENT.EventDispatcher.Queue.TotalEntries = 279,842
EVENT.EVENTLOG.Queue.Entries = 0
EVENT.EVENTLOG.Queue.MaxEntries = 28
EVENT.EVENTLOG.Queue.TotalEntries = 279,813
EVENT.MaxEventPoolSize = 10,485,760
EVENT.PROBEMGR.Queue.Entries = 0
EVENT.PROBEMGR.Queue.MaxEntries = 37
EVENT.PROBEMGR.Queue.TotalEntries = 279,842
FT.Index.Bytes.PerHour = 0
FT.Index.Count = 2
FT.Index.Documents.Added = 0
FT.Index.Documents.Deleted = 0
FT.Index.Documents.Updated = 0
FT.Index.Total.Bytes = 0
FT.Index.Total.TimeMS = 21
Http.Accept.ConnectionsAccepted = 2414761
Http.Accept.ConnectionsDenied = 0
Http.Accept.ConnectionsRefused = 0
Http.Accept.Errors = 0
Http.Accept.Polls = 2416812
Http.Accept.PollTimeouts = 2050
Http.Accept.ServerBusy = 0
Http.CurrentConnections = 0
Http.JavaCache.Enabled = 1
Http.JavaCache.Entries.Current = 0

Http.JavaCache.Entries.Maximum = 1000
Http.JavaCache.Prune.Run.Interval = 10
Http.JavaCache.Prune.Run.Next = 09/22/2005 18:11:59 CDT
Http.JavaCache.Prune.Time.Locked.Avg = 0
Http.JavaCache.Prune.Time.Locked.Max = 0
Http.JavaCache.Prune.Time.Locked.Min = 0
Http.JavaCache.Prune.Time.Total.Avg = 0
Http.JavaCache.Prune.Time.Total.Max = 0
Http.JavaCache.Prune.Time.Total.Min = 0
Http.JavaCache.Size.Current = 0
Http.JavaCache.Size.Maximum = 4000000
Http.JavaCache.Total.Adds = 0
Http.JavaCache.Total.Adds.Missed = 0
Http.JavaCache.Total.Errors = 0
Http.JavaCache.Total.Hits = 0
Http.JavaCache.Total.Misses = 0
Http.MaxConnections = 2000
Http.PeakConnections = 647
Http.Workers = 80
Http.Worker.Total.BytesRead = 1,118,255,249
Http.Worker.Total.BytesWritten = 49,836,013,766
Http.Worker.Total.Cgi.Requests = 0
Http.Worker.Total.Cgi.RequestTime = 0
Http.Worker.Total.DomWS.Requests = 0
Http.Worker.Total.DomWS.RequestTime = 0
Http.Worker.Total.Dsapi.Requests = 0
Http.Worker.Total.Dsapi.RequestTime = 0
Http.Worker.Total.File.Requests = 0
Http.Worker.Total.File.RequestTime = 0
Http.Worker.Total.Http.Requests = 0
Http.Worker.Total.Http.RequestTime = 0
Http.Worker.Total.IdleSessionTimeouts = 126773
Http.Worker.Total.InputTimeouts = 0
Http.Worker.Total.Notes.Requests = 2414753
Http.Worker.Total.Notes.RequestTime = 885,766,721
Http.Worker.Total.OutputTimeouts = 0
Http.Worker.Total.QuickPlace.Requests = 0
Http.Worker.Total.QuickPlace.RequestTime = 0
Http.Worker.Total.RequestsProcessed = 2414753
Http.Worker.Total.TotalRequestTime = 885,766,721
Mail.AverageDeliverTime = 1
Mail.AverageServerHops = 1
Mail.AverageSizeDelivered = 114
Mail.CurrentByteDeliveryRate = 0
Mail.CurrentByteTransferRate = 0
Mail.CurrentMessageDeliveryRate = 0
Mail.CurrentMessageTransferRate = 0
Mail.DBCacheAged = 0
Mail.DBCacheEntries = 1343
Mail.DBCacheForcedOut = 64525
Mail.DBCacheHighWaterMark = 1344
Mail.DBCacheHits = 25141
Mail.DBCacheMaxEntries = 1344
Mail.DBCacheReads = 91016
MAIL.Dead = 0
Mail.Delivered = 85085
Mail.DeliveredSize.100KB_to_1MB = 8340

Mail.DeliveredSize.10KB_to_100KB = 67728
Mail.DeliveredSize.1KB_to_10KB = 8583
Mail.DeliveredSize.1MB_to_10MB = 434
Mail.Deliveries = 91009
Mail.DeliveryThreads.Active = 0
Mail.DeliveryThreads.Max = 17
Mail.DeliveryThreads.Total = 17
Mail.Domain = IBM
MAIL.Hold = 0
Mail.Mailbox.AccessConflicts = 3
Mail.Mailbox.Accesses = 28258
Mail.Mailbox.AccessWarnings = 160
Mail.Mailbox.CurrentAccesses = 0
Mail.Mailbox.MaxConcurrentAccesses = 5
Mail.Mailbox.Opens = 47090
Mail.MaximumDeliverTime = 18
Mail.MaximumServerHops = 2
Mail.MaximumSizeDelivered = 9767
Mail.MinimumDeliverTime = 1
Mail.MinimumServerHops = 1
Mail.MinimumSizeDelivered = 1
Mail.PeakByteDeliveryRate = 372913
Mail.PeakByteTransferRate = 97975
Mail.PeakMessageDeliveryRate = 4
Mail.PeakMessageDeliveryTime = 09/22/2005 12:15:04 CDT
Mail.PeakMessagesDelivered = 247
Mail.PeakMessagesTransferred = 125
Mail.PeakMessageTransferRate = 2
Mail.PeakMessageTransferTime = 09/22/2005 11:39:48 CDT
Mail.PeakTotalBytesDelivered = 22374806
Mail.PeakTotalBytesTransferred = 5878519
Mail.TotalKBDelivered = 8,212,539
Mail.TotalKBTransferred = 4,532,270
Mail.TotalKBTransferred.NRPC = 4,532,270
Mail.TotalPending = 7
Mail.TotalRouted = 148710
Mail.TotalRouted.NRPC = 148710
Mail.Transferred = 49096
Mail.TransferredSize.100KB_to_1MB = 4826
Mail.TransferredSize.10KB_to_100KB = 39043
Mail.TransferredSize.1KB_to_10KB = 4999
Mail.TransferredSize.1MB_to_10MB = 228
Mail.Transferred.NRPC = 49096
Mail.TransferThreads.Active = 0
Mail.TransferThreads.Concurrent.Highest = 5
Mail.TransferThreads.Concurrent.Max = 8
Mail.TransferThreads.Max = 17
Mail.TransferThreads.Total = 14
MAIL.Waiting = 0
MAIL.WaitingForDIR = 0
MAIL.WaitingForDNS = 0
MAIL.WaitingRecipients = 0
Mem.Allocated = -807556352
Mem.Allocated.Process = -1728054680
Mem.Allocated.Shared = 920498328
Mem.Availability = Plentiful
Mem.bpool.allocation.failures.34A = 349752

Mem.MaxAddressableMemory_MB = 4095
Mem.MaxSharedMemory_MB = 4095
Mem.PhysicalRAM = 33,420,214,272
Mem.PhysicalRAM_MB = 31872
Mem.Reallocs.Down = 2169950
Mem.Reallocs.Same = 880904
Mem.Reallocs.Up = 7210248
Monitor.Last.Server.Warning(High) = 578
Monitor.Last.Server.Warning(High)Text = Special database object cannot be
located
Monitor.Server.Warning(High) = 63
NET.GroupCache.Hits = 554
NET.GroupCache.Misses = 12
NET.GroupCache.NumEntries = 7
NET.GroupCache.Size = 65,406
NET.GroupCache.Used = 2,214
NET.Log.server3/IBM.PeakUnwrittenEntries = 6
NET.Log.server3/IBM.UnwrittenEntries = 2
NET.Sessions.DeferredClosed.Current = 0
NET.Sessions.DeferredClosed.Peak = 0
NET.TCPIP.BytesReceived = 3,635,518,920
NET.TCPIP.BytesSent = 3,543,222,998
NET.TCPIP.Sessions.Established.Incoming = 51
NET.TCPIP.Sessions.Established.Outgoing = 42
NET.TCPIP.Sessions.Limit = 65535
NET.TCPIP.Sessions.LimitMax = 65535
NET.TCPIP.Sessions.LimitMin = 10
NET.TCPIP.Sessions.Peak = 84
NET.TCPIP.Sessions.Recycled = 0
NET.TCPIP.Sessions.Recycling = 0
Server.Administrators = CN=Domino Administrator/O=IBM
Server.Administrators.Access = CN=Domino Administrator/O=IBM
Server.AvailabilityIndex = 100
Server.AvailabilityThreshold = 0
Server.BootID = 5494109
Server.ConcurrentTasks = 0
Server.ConcurrentTasks.Max = 7
Server.ConcurrentTasks.Waiting = 0
Server.CPU.Count = 16
Server.ElapsedTime = 07:45:56
Server.ExpansionFactor = 1
Server.MailBoxes = 4
Server.Monitor.Start = 09/22/2005 10:18:04 CDT
Server.Name = CN=server3/O=IBM
Server.Path.Configfile = /server3/notes.ini
Server.Path.Data = /server3
Server.Path.Executable = /opt/lotus/notes/latest/ibmpow/
Server.Ports = TCPIP
Server.PoweredBy = Notes
Server.Sessions.Dropped = 0
Server.SharedMail = 0
Server.Task = Router:
Server.Task = Router:
Server.Task = Router:
Server.Task = Router:
Server.Task = Router:
Server.Task = Router:

509 statistics found

Server4 partition

```
> sh stat
Database.DAFailoverCount = 0
Database.DARefreshServerInfoCount = 0
Database.DAREloadCount = 0
Database.Database.BufferPool.Maximum.Megabytes = 448
Database.Database.BufferPool.MM.Reads = 31
Database.Database.BufferPool.MM.Writes = 5
Database.Database.BufferPool.Peak.Megabytes = 446
Database.Database.BufferPool.PerCentReadsInBuffer = 92.6
Database.DbCache.CurrentEntries = 3643
Database.DbCache.DatabaseLinkEntries = 0
Database.DbCache.HighWaterMark = 3761
Database.DbCache.Hits = 1406675
Database.DbCache.InitialDbOpens = 1419307
Database.DbCache.Lookups = 1676340
Database.DbCache.MaxBucketLength = 8
Database.DbCache.MaxEntries = 3000
Database.DbCache.NumBuckets = 3001
Database.DbCache.NumBucketsUsed = 1921
Database.DbCache.OvercrowdingRejections = 0
Database.DbCache.Size = 9754
Database.DbOpen.FoundInDbCacheExpanded = 52591
Database.DbOpen.FoundInDbCacheUnexpanded = 1354084
Database.DbOpen.FoundInDBQ.Expanded = 196303
Database.DbOpen.FoundInDBQ.Unexpanded = 6583001
Database.DbOpen.FoundInDBQ.WithRLock = 6583026
Database.DbOpen.FoundInDBQ.WithWLock = 196303
Database.DbOpen.FoundLinkInDbCache = 0
Database.DbOpen.InitialDbOpens = 1419307
Database.DbOpen.NameExpansionsNeeded = 261482
Database.DBUCache.Added = 873762
Database.DBUCache.AgedOut = 1
Database.DBUCache.Hits = 871521
Database.DBUCache.MaxEntries = 2240
Database.DBUCache.NotCached = 1267818
Database.DBUCache.SecsInCache.Ave = 67
Database.DBUCache.SecsInCache.Max = 712
Database.DBUCache.SecsInCache.Min = 0
Database.ExtMgrPool.Peak = 65,406
Database.ExtMgrPool.Used = 110
Database.FreeHandleStack.FreeHandleStackHits = 8625856
Database.FreeHandleStack.HandleAllocations = 8743796
Database.FreeHandleStack.MissRate = 1
Database.LDAP.NAMELookupBindFailures = 0
Database.LDAP.NAMELookupBinds = 0
Database.LDAP.NAMELookupBytesReceived = 0
Database.LDAP.NAMELookupEntries = 0
Database.LDAP.NAMELookupFailures = 0
Database.LDAP.NAMELookupTotal = 0
Database.LDAP.NAMELookupTotalLookupTime = 0
Database.NAMELookupCacheCacheSize = 8,024,540
Database.NAMELookupCacheHashSize = 1,170,818
Database.NAMELookupCacheHits = 16,681
Database.NAMELookupCacheLookups = 544,124
Database.NAMELookupCacheMaxSize = 16,777,216
Database.NAMELookupCacheMisses = 387,547
```

```

Database.NAMELookupCacheNoHitHits = 139,896
Database.NAMELookupCachePool.Peak = 16,777,216
Database.NAMELookupCachePool.Used = 16,769,440
Database.NAMELookupCacheResets = 0
Database.NAMELookupMisses = 62
Database.NAMELookupTotal = 374362
Database.NAMELookupTotalLookupTime = 6,103.357
Database.NIFPool.Peak = 1,048,576
Database.NIFPool.Used = 368,096
Database.NSFPool.Peak = 157,286,400
Database.NSFPool.Used = 125,008,768
Database.NSF.ClusterHashTable.EntriesWithSameIndex = 0
Database.NSF.ClusterHashTable.FreedEntriesOnCleanup = 0
Database.NSF.ClusterHashTable.HashedEntries = 0
Database.NSF.ClusterHashTable.HashIsFull = 0
Database.NSF.ClusterHashTable.MissedHashHits = 0
Database.NSF.ClusterHashTable.SuccessfullHashHits = 0
Database.NSF.Replicate.NotesMergedBack = 0
Database.NSF.Replicate.NotesReceived = 0
Database.NSF.Replicate.NotesReopened = 0
Database.NSF.Replicate.NotesSent = 0
Database.NSF.Replicate.SCR.DbOutOfSync = 0
Database.NSF.Replicate.SCR.DeferredEvent = 0
Database.NSF.Replicate.SCR.FolderUpdates = 0
Database.NSF.Replicate.SCR.HeaderUpdates = 0
Database.NSF.Replicate.SCR.NoteUpdates = 0
Database.NSF.Replicate.SCR.SCRMaxQueuedMemory = 0
Database.NSF.Replicate.SCR.SCRPastConserveMem = 0
Database.NSF.Replicate.SCR.SCRPastMaxMem = 0
Database.NSF.Replicate.SCR.SCRSrcSameDb = 0
Database.NSF.Replicate.SCR.SCRSrvDbMatch = 0
Database.NSF.Replicate.SCR.SCRSrvDbOpens = 0
Database.NSF.Replicate.SCR.SCRSrvDbUseLRU = 0
Database.NSF.Replicate.SCR.SCRSrvTotalOps = 0
Database.NSF.Replicate.SCR.UnreadUpdates = 0
Database.NSF.Replicate.UnreadMarks.ChunkLookups = 0
Database.NSF.Replicate.UnreadMarks.ChunksScanned = 0
Database.NSF.Replicate.UnreadMarks.ChunksSkimmed = 0
Database.NSF.Replicate.UnreadMarks.DroppedFutureEntries = 0
Database.NSF.Replicate.UnreadMarks.DroppedOldEntries = 0
Database.NSF.Replicate.UnreadMarks.FullReplications = 0
Database.NSF.Replicate.UnreadMarks.LocalMaxChunks = 12
Database.NSF.Replicate.UnreadMarks.LocalUnreadOperations = 86654
Database.NSF.Replicate.UnreadMarks.MessagesReceived = 0
Database.NSF.Replicate.UnreadMarks.MessagesSent = 0
Database.NSF.Replicate.UnreadMarks.OperationsReceived = 0
Database.NSF.Replicate.UnreadMarks.OperationsSent = 0
Database.NSF.Replicate.UnreadMarks.UsersActive = 278
Database.NSF.Replicate.UnreadMarks.UsersActiveMax = 1994
Database.NSF.SignatureCache.Hits = 1
Database.NSF.SignatureCache.Tries = 2
Database.NSF.UNKS.MemorySaved = -122874130
Database.NSF.UNKS.MemoryUsed = 131072
Database.NSF.UNKS.Shared = 7719450
Database.NSF.UNKS.Total = 7719450
Database.RM.Sys.Logged = Disabled
Disk.Fixed = 11

```

Disk.Remote = 0
Disk./home.Free = 133,414,912
Disk./home.Size = 134,217,728
Disk./home.Type = jfs2
Disk./opt.Free = 31,834,112
Disk./opt.Size = 134,217,728
Disk./opt.Type = jfs2
Disk./opt/lotus.Free = 223,674,368
Disk./opt/lotus.Size = 805,306,368
Disk./opt/lotus.Type = jfs2
Disk./server1.Free = 494,020,141,056
Disk./server1.Size = 640,218,562,560
Disk./server1.Type = jfs2
Disk./server2.Free = 494,350,786,560
Disk./server2.Size = 640,218,562,560
Disk./server2.Type = jfs2
Disk./server3.Free = 493,842,735,104
Disk./server3.Size = 640,218,562,560
Disk./server3.Type = jfs2
Disk./server4.Free = 494,049,222,656
Disk./server4.Size = 640,218,562,560
Disk./server4.Type = jfs2
Disk./tmp.Free = 659,025,920
Disk./tmp.Size = 3,221,225,472
Disk./tmp.Type = jfs2
Disk./usr.Free = 158,990,336
Disk./usr.Size = 1,207,959,552
Disk./usr.Type = jfs2
Disk./var.Free = 122,195,968
Disk./var.Size = 134,217,728
Disk./var.Type = jfs2
Disk./Free = 118,255,616
Disk./Size = 134,217,728
Disk./Type = jfs2
Domino.Cache.Command.Count = 0
Domino.Cache.Command.DisplaceRate = 0
Domino.Cache.Command.HitRate = 0
Domino.Cache.Command.MaxSize = 128
Domino.Cache.Design.Count = 1,000
Domino.Cache.Design.DisplaceRate = 13.733123487494
Domino.Cache.Design.HitRate = 86.2545596883154
Domino.Cache.Design.MaxSize = 1,000
Domino.Cache.Forms View Summary.Count = 1
Domino.Cache.Forms View Summary.DisplaceRate = 0
Domino.Cache.Forms View Summary.HitRate = 99.9991039683922
Domino.Cache.FormsCache.Count = 0
Domino.Cache.FormsCache.MaxSize = 256
Domino.Cache.iNote WA Forms file.Count = 1
Domino.Cache.NNotesID.Count = 0
Domino.Cache.NNotesID.MaxSize = 128
Domino.Cache.Note Cache.HitRate = 0
Domino.Cache.Session Cache.Count = 0
Domino.Cache.Session Cache.MaxSize = 1,000
Domino.Cache.Shimmer Profile Cache.Count = 0
Domino.Cache.SkinGroupsCache.Count = 0
Domino.Cache.SkinGroupsCache.MaxSize = 256
Domino.Cache.User Cache.Count = 0

Domino.Cache.User Cache.DisplaceRate = 0
Domino.Cache.User Cache.HitRate = 99.9920188650991
Domino.Cache.User Cache.MaxSize = 128
Domino.Command.CopyToFolder = 0
Domino.Command.CreateDocument = 0
Domino.Command.DeleteDocument = 0
Domino.Command.DeleteDocuments = 0
Domino.Command.EditDocument = 877322
Domino.Command.GetOrbCookie = 0
Domino.Command.MoveToFolder = 0
Domino.Command.Navigate = 0
Domino.Command.OpenAbout = 0
Domino.Command.OpenAgent = 0
Domino.Command.OpenCssResource = 0
Domino.Command.OpenDatabase = 0
Domino.Command.OpenDocument = 1263448
Domino.Command.OpenElement = 0
Domino.Command.OpenFileResource = 5
Domino.Command.OpenForm = 0
Domino.Command.OpenHelp = 0
Domino.Command.OpenIcon = 0
Domino.Command.OpenImageResource = 0
Domino.Command.OpenJavascriptLib = 0
Domino.Command.OpenNavigator = 0
Domino.Command.OpenPreferences = 0
Domino.Command.OpenServer = 0
Domino.Command.OpenView = 0
Domino.Command.OpenWebService = 0
Domino.Command.ReadForm = 0
Domino.Command.Redirect = 0
Domino.Command.RemoveFromFolder = 0
Domino.Command.RequestCert = 0
Domino.Command.SaveDocument = 0
Domino.Command.SearchDomain = 0
Domino.Command.SearchSite = 0
Domino.Command.SearchView = 0
Domino.Command.Total = 2310680
Domino.Command.Unknown = 0
Domino.Command.WSDL = 0
Domino.Config.ActiveThreads.Max = 80
Domino.Config.ActiveThreads.Min = 20
Domino.Config.AllowDirectoryLinks = 1
Domino.Config.Directory.CGI = /server4/domino/cgi-bin
Domino.Config.Directory.HTML = /server4/domino/html
Domino.Config.Directory.Icons = /server4/domino/icons
Domino.Config.Directory.JavaRoot = /server4/domino/java
Domino.Config.DNSLookup = 0
Domino.Config.EnforceAccess = 0
Domino.Config.HomeURL = /homepage.nsf?Open
Domino.Config.HostName = server4.ibm.com
Domino.Config.Image.Format = GIF
Domino.Config.Image.Interlaced = 1
Domino.Config.Log.Access = access
Domino.Config.Log.Error = error
Domino.Config.Log.Filter =
Domino.Config.Log.TimeStamp = 0
Domino.Config.PortNumber = 80

Domino.Config.PortStatus = 1
Domino.Config.SSL.KeyFile = /server4/keyfile.kyr
Domino.Config.SSL.PortNumber = 443
Domino.Config.SSL.Status = 0
Domino.Config.Timeout.CGI = 5
Domino.Config.Timeout.IdleThread = 0
Domino.Config.Timeout.Input = 2
Domino.Config.Timeout.Output = 20
Domino.Config.URLpath.CGI = /cgi-bin
Domino.Config.URLpath.Icons = /icons
Domino.Config.URLpath.JavaRoot = /domjava
Domino.Config.URLpath.Servlet = /servlet
Domino.Config.View.Lines = 30
Domino.Config.WelcomePage = default.htm
Domino.Requests.Per1Day.Peak = 2,310,138
Domino.Requests.Per1Day.PeakTime = 09/22/2005 18:03:27 CDT
Domino.Requests.Per1Day.Total = 2,310,138
Domino.Requests.Per1Hour.Peak = 333,796
Domino.Requests.Per1Hour.PeakTime = 09/22/2005 13:45:27 CDT
Domino.Requests.Per1Hour.Total = 320,791
Domino.Requests.Per1Minute.Peak = 6,029
Domino.Requests.Per1Minute.PeakTime = 09/22/2005 12:18:57 CDT
Domino.Requests.Per1Minute.Total = 0
Domino.Requests.Per5Minute.Peak = 29,162
Domino.Requests.Per5Minute.PeakTime = 09/22/2005 12:21:07 CDT
Domino.Requests.Per5Minute.Total = 16,062
Domino.Requests.Total = 2,310,128
Domino.ThreadPool.average = 65536
Domino.ThreadPool.max = 393216
Domino.Threads.Active.Peak = 72
EVENT.EventDispatcher.Queue.Entries = 0
EVENT.EventDispatcher.Queue.MaxEntries = 29
EVENT.EventDispatcher.Queue.TotalEntries = 271,517
EVENT.EVENTLOG.Queue.Entries = 0
EVENT.EVENTLOG.Queue.MaxEntries = 36
EVENT.EVENTLOG.Queue.TotalEntries = 271,488
EVENT.MaxEventPoolSize = 10,485,760
EVENT.PROBEMGR.Queue.Entries = 0
EVENT.PROBEMGR.Queue.MaxEntries = 38
EVENT.PROBEMGR.Queue.TotalEntries = 271,517
FT.Index.Bytes.PerHour = 0
FT.Index.Count = 2
FT.Index.Documents.Added = 0
FT.Index.Documents.Deleted = 0
FT.Index.Documents.Updated = 0
FT.Index.Total.Bytes = 0
FT.Index.Total.TimeMS = 20
Http.Accept.ConnectionsAccepted = 2430747
Http.Accept.ConnectionsDenied = 0
Http.Accept.ConnectionsRefused = 0
Http.Accept.Errors = 0
Http.Accept.Polls = 2432231
Http.Accept.PollTimeouts = 1483
Http.Accept.ServerBusy = 0
Http.CurrentConnections = 0
Http.JavaCache.Enabled = 1
Http.JavaCache.Entries.Current = 0

Http.JavaCache.Entries.Maximum = 1000
Http.JavaCache.Prune.Run.Interval = 10
Http.JavaCache.Prune.Run.Next = 09/22/2005 18:13:04 CDT
Http.JavaCache.Prune.Time.Locked.Avg = 0
Http.JavaCache.Prune.Time.Locked.Max = 0
Http.JavaCache.Prune.Time.Locked.Min = 0
Http.JavaCache.Prune.Time.Total.Avg = 0
Http.JavaCache.Prune.Time.Total.Max = 0
Http.JavaCache.Prune.Time.Total.Min = 0
Http.JavaCache.Size.Current = 0
Http.JavaCache.Size.Maximum = 4000000
Http.JavaCache.Total.Adds = 0
Http.JavaCache.Total.Adds.Missed = 0
Http.JavaCache.Total.Errors = 0
Http.JavaCache.Total.Hits = 0
Http.JavaCache.Total.Misses = 0
Http.MaxConnections = 2000
Http.PeakConnections = 522
Http.Workers = 80
Http.Worker.Total.BytesRead = 1,122,835,732
Http.Worker.Total.BytesWritten = 56,810,648,043
Http.Worker.Total.Cgi.Requests = 0
Http.Worker.Total.Cgi.RequestTime = 0
Http.Worker.Total.DomWS.Requests = 0
Http.Worker.Total.DomWS.RequestTime = 0
Http.Worker.Total.Dsapi.Requests = 0
Http.Worker.Total.Dsapi.RequestTime = 0
Http.Worker.Total.File.Requests = 0
Http.Worker.Total.File.RequestTime = 0
Http.Worker.Total.Http.Requests = 0
Http.Worker.Total.Http.RequestTime = 0
Http.Worker.Total.IdleSessionTimeouts = 1114349
Http.Worker.Total.InputTimeouts = 0
Http.Worker.Total.Notes.Requests = 2430732
Http.Worker.Total.Notes.RequestTime = 670,988,481
Http.Worker.Total.OutputTimeouts = 0
Http.Worker.Total.QuickPlace.Requests = 0
Http.Worker.Total.QuickPlace.RequestTime = 0
Http.Worker.Total.RequestsProcessed = 2430732
Http.Worker.Total.TotalRequestTime = 670,988,481
Mail.AverageDeliverTime = 1
Mail.AverageServerHops = 1
Mail.AverageSizeDelivered = 113
Mail.CurrentByteDeliveryRate = 0
Mail.CurrentByteTransferRate = 0
Mail.CurrentMessageDeliveryRate = 0
Mail.CurrentMessageTransferRate = 0
Mail.DBCacheAged = 0
Mail.DBCacheEntries = 1343
Mail.DBCacheForcedOut = 64268
Mail.DBCacheHighWaterMark = 1344
Mail.DBCacheHits = 23641
Mail.DBCacheMaxEntries = 1344
Mail.DBCacheReads = 89258
MAIL.Dead = 0
Mail.Delivered = 84631
Mail.DeliveredSize.100KB_to_1MB = 8068

Mail.DeliveredSize.10KB_to_100KB = 67838
Mail.DeliveredSize.1KB_to_10KB = 8311
Mail.DeliveredSize.1MB_to_10MB = 414
Mail.Deliveries = 89252
Mail.DeliveryThreads.Active = 0
Mail.DeliveryThreads.Max = 17
Mail.DeliveryThreads.Total = 17
Mail.Domain = IBM
MAIL.Hold = 0
Mail.Mailbox.AccessConflicts = 0
Mail.Mailbox.Accesses = 28550
Mail.Mailbox.AccessWarnings = 77
Mail.Mailbox.CurrentAccesses = 0
Mail.Mailbox.MaxConcurrentAccesses = 4
Mail.Mailbox.Opens = 47334
Mail.MaximumDeliverTime = 11
Mail.MaximumServerHops = 2
Mail.MaximumSizeDelivered = 9767
Mail.MinimumDeliverTime = 1
Mail.MinimumServerHops = 1
Mail.MinimumSizeDelivered = 1
Mail.PeakByteDeliveryRate = 355972
Mail.PeakByteTransferRate = 442444
Mail.PeakMessageDeliveryRate = 4
Mail.PeakMessageDeliveryTime = 09/22/2005 12:16:17 CDT
Mail.PeakMessagesDelivered = 247
Mail.PeakMessagesTransferred = 149
Mail.PeakMessageTransferRate = 2
Mail.PeakMessageTransferTime = 09/22/2005 11:53:04 CDT
Mail.PeakTotalBytesDelivered = 21714321
Mail.PeakTotalBytesTransferred = 26546654
Mail.TotalKBDelivered = 7,996,064
Mail.TotalKBTransferred = 4,415,632
Mail.TotalKBTransferred.NRPC = 4,415,632
Mail.TotalPending = 3
Mail.TotalRouted = 148955
Mail.TotalRouted.NRPC = 148955
Mail.Transferred = 49587
Mail.TransferredSize.100KB_to_1MB = 4654
Mail.TransferredSize.10KB_to_100KB = 39680
Mail.TransferredSize.1KB_to_10KB = 5036
Mail.TransferredSize.1MB_to_10MB = 217
Mail.Transferred.NRPC = 49587
Mail.TransferThreads.Active = 0
Mail.TransferThreads.Concurrent.Highest = 5
Mail.TransferThreads.Concurrent.Max = 8
Mail.TransferThreads.Max = 17
Mail.TransferThreads.Total = 13
MAIL.Waiting = 0
MAIL.WaitingForDIR = 0
MAIL.WaitingForDNS = 0
MAIL.WaitingRecipients = 0
Mem.Allocated = -795272866
Mem.Allocated.Process = -1709604974
Mem.Allocated.Shared = 914332108
Mem.Availability = Plentiful
Mem.bpool.allocation.failures.34A = 364433

```

Mem.MaxAddressableMemory_MB = 4095
Mem.MaxSharedMemory_MB = 4095
Mem.PhysicalRAM = 33,420,214,272
Mem.PhysicalRAM_MB = 31872
Mem.Reallocs.Down = 2193916
Mem.Reallocs.Same = 895795
Mem.Reallocs.Up = 7464126
Monitor.Last.Server.Warning(High) = 578
Monitor.Last.Server.Warning(High)Text = Special database object cannot be
located
Monitor.Server.Warning(High) = 63
NET.GroupCache.Hits = 552
NET.GroupCache.Misses = 12
NET.GroupCache.NumEntries = 7
NET.GroupCache.Size = 65,406
NET.GroupCache.Used = 2,214
NET.Log.server4/IBM.PeakUnwrittenEntries = 6
NET.Log.server4/IBM.UnwrittenEntries = 2
NET.Sessions.DeferredClosed.Current = 0
NET.Sessions.DeferredClosed.Peak = 0
NET.TCPIP.BytesReceived = 3,595,953,564
NET.TCPIP.BytesSent = 3,479,429,090
NET.TCPIP.Sessions.Established.Incoming = 50
NET.TCPIP.Sessions.Established.Outgoing = 39
NET.TCPIP.Sessions.Limit = 65535
NET.TCPIP.Sessions.LimitMax = 65535
NET.TCPIP.Sessions.LimitMin = 10
NET.TCPIP.Sessions.Peak = 82
NET.TCPIP.Sessions.Recycled = 0
NET.TCPIP.Sessions.Recycling = 0
Server.Administrators = CN=Domino Administrator/O=IBM
Server.Administrators.Access = CN=Domino Administrator/O=IBM
Server.AvailabilityIndex = 100
Server.AvailabilityThreshold = 0
Server.BootID = 5495211
Server.ConcurrentTasks = 0
Server.ConcurrentTasks.Max = 8
Server.ConcurrentTasks.Waiting = 0
Server.CPU.Count = 16
Server.ElapsedTime = 07:45:33
Server.ExpansionFactor = 1
Server.MailBoxes = 4
Server.Monitor.Start = 09/22/2005 10:18:15 CDT
Server.Name = CN=server4/O=IBM
Server.Path.Configfile = /server4/notes.ini
Server.Path.Data = /server4
Server.Path.Executable = /opt/lotus/notes/latest/ibmpow/
Server.Ports = TCPIP
Server.PoweredBy = Notes
Server.Sessions.Dropped = 0
Server.SharedMail = 0
Server.Task = Router:
Server.Task = Router:
Server.Task = Router:
Server.Task = Router:
Server.Task = Router:
Server.Task = Router:

```

Trademarks and Disclaimers



© IBM Corporation 2005

IBM Corporation
Systems and Technology Group
Route 100
Somers, New York 10589

Produced in the United States of America
October 2005;
All Rights Reserved

This document was developed for products and/or services offered in the United States. IBM may not offer the products, features, or services discussed in this document in other countries.

The information may be subject to change without notice. Consult your local IBM business contact for information on the products, features and services available in your area.

All statements regarding IBM future directions and intent are subject to change or withdrawal without notice and represent goals and objectives only.

IBM, the IBM logo, the e-business logo, AIX 5L, Domino, eServer, IntelliStation, Lotus, Micro-Partitioning, Notes, POWER4, POWER5, POWER5+, pSeries, System p5, Virtualization Engine are trademarks or registered trademarks of International Business Machines Corporation in the United States or other countries or both. A full list of U.S. trademarks owned by IBM may be found at:

<http://www.ibm.com/legal/copytrade.shtml>

UNIX is a registered trademark of The Open Group in the United States, other countries or both.

Microsoft, Windows, Windows NT are registered trademarks of the Microsoft Corporation.

Intel, Itanium and Pentium are registered trademarks Intel Corporation in the United States and/or other countries.

Cisco is a trademark of Cisco Systems Inc, Micro Devices, Inc.

Other company, product, and service names may be trademarks or service marks of others.

IBM hardware products are manufactured from new parts, or new and used parts. In some cases, the hardware product may not be new and may have been previously installed. Regardless, our warranty terms apply.

Photographs show engineering and design models. Changes may be incorporated in production models.

Copying or downloading the images contained in this document is expressly prohibited without the written consent of IBM.

This equipment is subject to FCC rules. It will comply with the appropriate FCC rules before final delivery to the buyer.

Information concerning non-IBM products was obtained from the suppliers of these products or other public sources. Questions on the capabilities of the non-IBM products should be addressed with those suppliers.

All performance information was determined in a controlled environment. Actual results may vary. Performance information is provided "AS IS" and no warranties or guarantees are expressed or implied by IBM. Buyers should consult other sources of information, including system benchmarks, to evaluate the performance of a system they are considering buying.

When referring to storage capacity, 1TB equals total GB divided by 1000; accessible capacity may be less.

The IBM home page on the Internet can be found at:
<http://www.ibm.com>.

The IBM System p5, eServer p5 and pSeries home page on the Internet can be found at:
<http://www.ibm.com/servers/eserver/pseries>.

¹ Results current as of September, 2005. Please refer to the NotesBench consortium at <http://notesbench.org> for a complete list of all Lotus Domino NotesBench reports.