

IBM

@server

Integrated Domino Fax for iSeries



COPYRIGHT

First edition

© Copyright International Business Machines 2000. All rights reserved.

US Government Users Restricted Rights — Use, duplication or disclosure restricted by GSA ADP Schedule Contract with IBM Corp.

Notes and Domino are trademarks and Lotus, Lotus Notes and Word Pro are registered trademarks of Lotus Development Corporation. AS/400, IBM, Operating System/400, and OS/400 are registered trademarks of International Business Machines Corporation. Intel is a registered trademark of Intel Corporation. Microsoft, Windows and Windows NT are registered trademarks of Microsoft Corporation. All other trademarks are owned by their respective companies.

Contents

Preface	v	Restoring the agent restrictions on your server	21
1 Getting started with IBM Integrated Domino Fax for iSeries	1	5 Configuring Domino Fax for IBM Analog or IBM PCI Analog ...	23
Domino Fax for iSeries configuration assumptions	2	6 Configuring Domino Fax for IBM PCI ISDN	25
Overview of the Domino Fax for iSeries installation process	3	Understanding and planning for ISDN	25
Performing pre-install tasks	3	Overview: Configuring ISDN for Domino Fax	25
Preparing the Domino server	7	Creating the OS/400 configuration objects ..	27
2 Installing the Domino Fax for iSeries software	9	Verifying the OS/400 configuration	28
Installing the Domino Fax for iSeries software	9	Configuring Fax for IBM PCI ISDN	28
Adding Domino Fax for iSeries to the Domino server	10	7 Setting up Domino Fax users ...	31
Updating the FaxAdmins group	11	Updating users' Personal Address Books with fax domain information	31
3 Setting up the Fax Windows Services System	13	Updating users' mail templates with fax options	32
Installing the Notes client on the Fax Windows Services System	14	Making Fax help available	32
Copying the Notes user ID file	14	Setting up an Allow/Exclude permission list	32
Setting up the Notes client	16	8 Starting and stopping Domino Fax for iSeries	35
Installing Fax Windows Services software ..	16	Starting Domino Fax	35
Installing selected applications	17	Stopping Domino Fax	36
4 Setting up the Domino Fax server	19	9 Upgrading to Domino Fax for iSeries	37
Modifying the agent restrictions on your server	19	Pre-upgrade tasks	37
Running Fax Setup	20	Installing the Domino Fax for iSeries software	38
		Adding the software to the Domino server ..	39

Upgrading the Fax Windows Services System	39
Setting up the Domino Fax for iSeries server . .	40
Upgrading users' mail templates and help files	41
10 Using a language other than English	43
Index	47

Preface

IBM® Integrated Domino Fax for iSeries™, Version 4 Release 4, replaces Lotus® Fax for Domino for AS/400 Release 4.1. Domino Fax V4R4 includes several new features which were not included in Fax for Domino Release 4.1:

- Incorporates support for ISDN devices and Direct Inward Dial Routing in the base product (this support was previously provided as a product update).
- Easy cover page and cost code selection. Users save time by selecting a cover page or a cost code from drop-down menus.
- Improved queue management. Users and administrators can manage faxes in the outbound queue.
- Fax receipt customization. Users can select how they view received faxes.
- Improved international support. End user interfaces are now available in many local languages.

If you are new to Domino Fax, then you should proceed to the beginning of Chapter 1. If you are upgrading from Lotus Fax for Domino for AS/400 Release 4.1, then you should proceed to the “Performing pre-install tasks” section in Chapter 1.

Chapter 1

Getting started with IBM Integrated Domino Fax for iSeries

Congratulations on your purchase of IBM Integrated Domino Fax for iSeries, Version 4 Release 4! Domino Fax for iSeries is a Domino™ application that enables Lotus Notes® users to send and receive faxes directly from their Notes™ client. Sending a Notes memo by fax is as easy as specifying the intended recipient in the “Fax To” field. But Domino Fax for iSeries is not just for simple text; you can also fax Notes memos containing rich text and graphics. Domino Fax for iSeries will even format and fax files attached to your Notes memo. In addition, users can send faxes directly from any Microsoft® Windows® application, such as word processing or spreadsheet software. Domino Fax for iSeries makes faxing just another output option, like printing. With Domino Fax for iSeries, you can increase the convenience and reliability of faxing in your organization while reducing your overall fax-related costs.

From an administrator’s perspective, Domino Fax for iSeries has three main components:

- The Domino Fax software that runs as an application on the Domino for AS/400 server.
- A fax device installed on the iSeries server that communicates with a fax machine at the recipient’s location.
- The Fax Windows Services software that runs on a Windows NT™ system and converts memos to an image format in preparation for faxing.

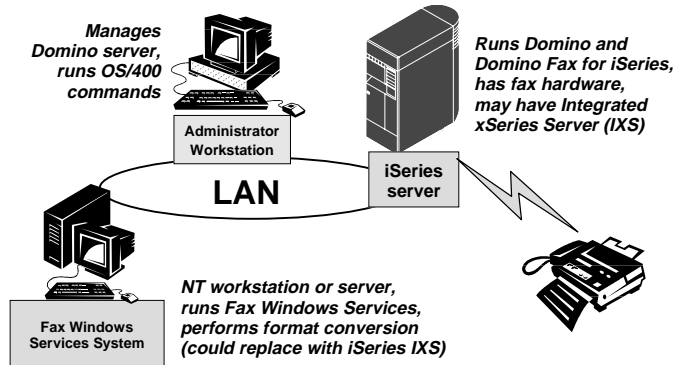
The Windows NT system where you choose to run Fax Windows Services can be any one of the following:

- A workstation running Windows NT Workstation.
- A system running Windows NT Server.
- An Integrated xSeries Server (IXS) for iSeries running Windows NT Server.

The Integrated xSeries Server (previously called Integrated PC Server and Integrated Netfinity Server) is an iSeries server feature that includes an Intel® processor and PC memory packaged on a system board to fit inside the iSeries server.

The following diagram shows these components along with the administrator client that you use to manage your Domino server and Domino Fax for iSeries installation.

Domino Fax for iSeries System Setup



Once you configure these components, their existence is transparent to the end user. The Domino Fax for iSeries application on the Domino server automatically communicates with the Fax Windows Services System for formatting documents and with the fax hardware for sending and receiving documents. The user simply makes a request to send a fax.

This book will guide you through the following topics:

- Installing and configuring Domino Fax for iSeries on your server from an administrator workstation.
- Installing and configuring the Fax Windows Services on the Fax Windows Services System.
- Upgrading from Lotus Fax for Domino Release 4.1 to IBM Integrated Domino Fax for iSeries Version 4 Release 4.
- Changing the language files for the fax end user interface.

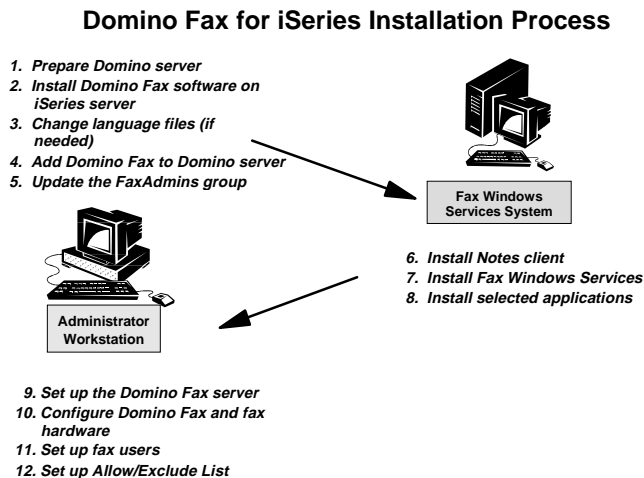
Domino Fax for iSeries configuration assumptions

- The Fax Windows Services System, the Domino server, and the administrator workstation are connected by a TCP/IP Network.
- A supported fax device is already installed on your iSeries server.
- Your Domino for AS/400 server and administrator workstation are both operational.

- You will only install one version of the Notes client on the Fax Windows Services System. This Notes client must only be used for Fax Windows Services, and it must be installed on a local drive (not a network drive).
- If you have multiple fax servers using the same Fax Windows Services System, the fax servers must be running the same version of Domino Fax for iSeries.
- You have access to the cert.id file for the Domino server.

Overview of the Domino Fax for iSeries installation process

The following graphic illustrates the Domino Fax for iSeries installation process. Notice that you will perform the first group of tasks at the administrator workstation, move to the Fax Windows Services System to perform several additional tasks, and then return to the administrator workstation to complete the process.



Performing pre-install tasks

1. Read the release notes in the Readme.htm file on the Domino Fax for iSeries CD.
2. Check the Domino Fax for iSeries Web site at the following URL:
<http://www.ibm.com/series/domino/related/fxd/>

3. Verify that your iSeries server meets the following requirements:
 - OS/400® Version 4 Release 4 or later
 - To enable fax operations on the ISDN adapters, the following PTFs must be applied to your system:
 - V4R4 systems:** Cumulative PTF package C0252440 or later.
 - V4R5 systems:** Cumulative PTF package C0231450 or later.
 - Domino for AS/400 Release 5.0.4a or later.
4. Verify that one of the following fax devices is installed on your iSeries server:
 - Modem, 7852-400.
 - 8 port analog, Feature code 2761.
 - PCI ISDN 2-wire interface, Feature code 2750.
 - PCI ISDN 4-wire interface, Feature code 2751.
5. If you installed a 2761 PCI Analog device, 2750 PCI ISDN device, or 2751 PCI ISDN device, verify the OS/400 setting for the Modem Country ID.

Use the Display Network Attribute command (DSPNETA) to display the current setting for Modem Country ID. You must press the Page Down key to display the value. If it is blank, use the Change Network Attribute command (CHGNETA) to set it as described below.

On any OS/400 command line, type CHGNETA and press F4 (rather than Enter) to display the command prompt. Press Page Down to display the prompt for Modem Country ID. You can place your cursor on the field and press Prompt (F4) to view the valid values. Specify a valid value and press Enter to run the command.
6. Verify that the Fax Windows Services System meets the following system requirements:
 - NT Workstation or Server software version 4.0 with SP4 or later.
 - Pentium 266MHz processor or higher.
 - At least 96MB of memory (128MB recommended).
 - At least 150MB of hard disk space available.

Note If you are using an Integrated xSeries Server, you must have already run the INSWNTSVR command to create the Network Server Description and install the Windows NT Server. For more information, refer to *OS/400-AS/400 Integration with Windows NT Server* (SC41-5439). You can access this book and additional information from the iSeries Web site (<http://www.ibm.com/eserver/series/nt>).

7. Verify that the administrator workstation for the Domino server has the following software installed:
 - Notes Client with Administrative components.
If you need more information about setting up an administrator workstation for your Domino server, see *Installing and Managing Domino for AS/400* or the Domino for AS/400 Help Database (as400hlp.nsf).
 - 5250 emulator for running OS/400 commands.
8. Verify that you have the following software available for installation:
 - Lotus Notes Client for installing on the Fax Windows Services System.
Generally, you should use the Notes release that corresponds to the level of your Domino server. If you have several Domino servers running Domino Fax for iSeries and they are sharing the Fax Windows Services System, use the Notes client release that matches the highest Domino release level that you have running on the servers. If the highest release level of your Domino servers is 5.0.4a, use Notes 5.0.2 on the Fax Windows Services System due to known fax-related problems with Notes 5.0.3 and 5.0.4a.
 - Workstation applications you have chosen for processing attachments.
For example, you may want to allow your users to fax a Notes memo with a Lotus Word Pro® document attached. In order to do this, you must install Word Pro on the Fax Windows Services System so the attachment can be converted from its internal format into an image file (TIFF format).
 - Domino Fax for iSeries Version 4 Release 4.
The Domino Fax for iSeries software CD contains both the code that you will install on the iSeries server and the code that you will install on the Fax Windows Services System.
9. Ensure you have the following information about your Domino server and Fax Windows Services System.

Note If you are upgrading from Lotus Fax for Domino for AS/400 Release 4.1, you only need the following information if you are planning to use a different Fax Windows Services System.

<i>Item</i>	<i>Example</i>	<i>Contact for information</i>	<i>Comments</i>
TCP/IP host name of the iSeries server	Acme1	Your network administrator	
TCP/IP host name of the NT server or workstation (If you will run Fax Windows Services on any Windows NT system other than an IXS located on the same iSeries server where you install Domino Fax)	Host12	Your network administrator	When you set up Fax, you must have a host name rather than an IP address. If you do not have a Domain Name Server, add the host name and IP address to the OS/400 host table by running the CFGTCP command and selecting option 10.
Network server description name (If you will run Fax Windows Services on an IXS located on the same iSeries server where you install Domino Fax)	NTSVR1	Your network administrator	

10. Ensure you have the following information about each of your fax devices.

Note If you are upgrading from Lotus Fax for Domino for AS/400 Release 4.1, you only need the following information if you are adding new fax devices. You do not need to reconfigure your current fax devices.

<i>Item</i>	<i>Example</i>	<i>Contact for information</i>	<i>Comments</i>
CSID (the phone number that Fax will use)	(833)555-1234	Your phone or network administrator	
Fax hardware installed on your iSeries server	IBM PCI Analog	The person who installed the fax hardware on your iSeries server	The hardware could be one of the following devices: <ul style="list-style-type: none"> • IBM Analog (Modem, 7852-400) • IBM PCI Analog (8 port analog, Feature code 2761) • IBM PCI ISDN PCI (2-wire interface, Feature code 2750 or 4-wire interface, Feature code 2751)
Fax hardware resource name	cmn01	The person who installed the fax hardware on your iSeries server	Use WRKHDWRSC *CMN command to view the possible choices.

If you are upgrading from Lotus Fax for Domino for AS/400 Release 4.1, skip to Chapter 9, "Upgrading to Domino Fax for iSeries." Otherwise, proceed to the next section, "Preparing the Domino server."

Preparing the Domino server



Administrator Workstation

The following sections guide you through performing these steps at the **administrator workstation**:

- Deciding to use combined or separate administration.
- Registering a Notes user for the Fax Windows Services System.

Deciding to use combined or separate administration

In a later step, the Fax setup database allows you to choose one of two ways to administer Domino Fax for iSeries. You should now decide which method you want to use.

- If you choose **Combined administration**, all Domino Fax for iSeries forms, subforms, and documents (except cover pages) are stored in your organization's primary Domino Directory. Cover page forms and sample cover page documents are stored in a separate Fax Cover Pages database.
- If you choose **Separate administration**, the Fax Server, Class of Service, User Profile, fax device, and Phone Number Translation forms and documents are stored in the Fax Administration database. Cover page forms and sample cover page documents are stored in the Fax Cover Pages database.

Note If you plan on allowing users to send faxes using SMTP, use Separate Administration.

Registering a Notes user for the Fax Windows Services System

Register a Notes user to be used by the Notes client on the Fax Windows Services System.

Tip Consider using the following values when you register the user:

First name: the TCP/IP host name of your Fax Windows Services System

Last name: Fax

Also consider changing the name of the user ID file to include the full first name and last name. This ensures that the user ID is unique if you have multiple fax servers.

In a later step, you will copy the user ID file to the Fax Windows Services System.

Chapter 2

Installing the Domino Fax for iSeries software



**Administrator
Workstation**

The following sections guide you through performing these steps at the **Notes administrator workstation**:

- Installing the Domino Fax for iSeries software.
- Adding Domino Fax for iSeries to the Domino server.
- Updating the Fax Admins group.

Installing the Domino Fax for iSeries software

1. Sign on to your iSeries server with a user profile that has the *ALLOBJ and *SECADM special authorities.
2. Insert the Domino Fax for iSeries CD into the CD-ROM drive on your iSeries server.
3. Type the following command from any OS/400 command line and press F4 (instead of pressing Enter):
LODRUN
4. On the LODRUN panel, type the following value in the Devices field:
***OPT**
5. Press Enter and then type the following value in the Directory field:
/OS400
6. Press Enter to run the command and wait for it to complete.
7. To change the Domino Fax for iSeries user interface to a language other than English, see Chapter 10, "Using a language other than English."

Adding Domino Fax for iSeries to the Domino server

Before you add Domino Fax to a Domino server, you must shut down the Domino server.

Shut down the Domino Server if it is active

1. On any OS/400 command line, type the following command:

```
WRKDOMSVR
```

2. If the Domino server that you want to add Domino Fax to is not in *ENDED status, type a 6 beside the server name and press Enter.
3. Wait a few minutes for the server to end. Press F5 periodically to refresh the status on the display.

Note For details about managing a Domino server, see *Installing and Managing Domino for AS/400* or the Domino for AS/400 Help Database (as400hlp.nsf)

Add the Domino Fax software to the Domino server

1. On any OS/400 command line, type the following and press F4 (instead of pressing Enter):

```
ADDDOMAPP
```

2. On the Add Domino Application panel, enter values for the following fields:

Server name: Specify the name of the Domino server where you want to run Domino Fax. While the cursor is on this field, you can press F4 to list the Domino servers on this iSeries server. To add Domino Fax to more than one server, you must run ADDDOMAPP separately for each server. Do not specify *ALL.

Data sub directory: Specify *None. (This is the default.)

Product: Specify 5733FXD.

Optional part to be added: Specify *BASE. (This is the default.)

3. Press Enter to run the command and wait for it to complete.

Restart the Domino server

1. On any OS/400 command line, type the following command:

```
WRKDOMSVR
```

2. Type a 1 beside the Domino server where you just installed Domino Fax for iSeries. The server is active when its status changes to *STARTED. Press F5 periodically to refresh the status.

Updating the FaxAdmins group

During ADDDOMAPP, a group called FaxAdmins is created in the Domino Directory. Initially, it contains only the server administrator's ID. At this time, you should update the group to include any other Notes users who will be responsible for configuring or managing the fax server.

You have finished installing the Domino Fax for iSeries software on your iSeries server. In the next step, you will install and set up the necessary software on the Windows NT server or workstation that you have selected for running the Fax Windows Services.

At this time, you should leave the administrator workstation and go to the workstation or server console that acts as the Fax Windows Services System. In a later step, you will return to the administrator workstation to finish setting up and configuring the fax server.

Chapter 3

Setting up the Fax Windows Services System



The following sections guide you through these steps which must be performed at the **Fax Windows Services System**:

- Installing the Notes client on the Fax Windows Services System.
- Copying the Notes user ID file.
- Setting up the Notes client.
- Installing Fax Windows Services software.
- Installing selected applications.

To install and set up the Fax Windows Services System, you must be a member of the NT Administrators group and use this same identity to perform all of the steps. If you do not use the appropriate privileges when installing an application, you may experience problems converting attachments for that application.

If you have multiple fax servers using the same Fax Windows Services System, the fax servers must be running the same version of Domino Fax for iSeries. For example, a fax server running IBM Integrated Domino Fax for iSeries V4R4 and a different fax server running Lotus Fax for Domino Release 4.1 cannot use the same Fax Windows Services System.

If you are using an Integrated xSeries Server as the Fax Windows Services System, you should perform these steps from the IXS console.

Installing the Notes client on the Fax Windows Services System

1. Insert the Notes client CD in the CD-ROM drive of the Windows system.

Note If you are using an Integrated xSeries Server, insert the CD in the iSeries server CD-ROM drive.

2. Install the "Standard" components of the Notes client. You do not need to install any of the Designer or Administrator components.

Note You should only install one version of the Notes client. This Notes client must only be used for Fax Windows Services.

Copying the Notes user ID file

Copy the Notes user ID file that you created in an earlier step to the Notes data directory of the Fax Windows Services System using a floppy diskette or any other means that is convenient for you.

If you are using the Integrated xSeries Server (IXS) to run Windows services, you do not have a floppy diskette drive available. Use the FTP procedure described below.

Example: Using FTP to copy the user ID file

Tip FTP is sensitive to the way you enter each instruction. If you see a response that you do not expect, the simplest way to recover is to end the FTP session and try the procedure again. To end FTP, enter:

```
quit
```

1. Open an MS-DOS Command Prompt on the Fax Windows Services System.
2. Change to the Notes data directory. For example:

```
c:
```

```
cd c:\notes\data
```

3. Start an FTP session with the system where the user ID file is located. For example, if the TCP/IP host name of the system is ACME1, enter:

```
ftp ACME1
```

You see one or more messages indicating that FTP connected to the system, followed by a message that requests your user name.

4. If the file is located on the iSeries server, enter your OS/400 user ID; that is, the name of your OS/400 user profile:

```
my-user-ID
```

5. A message requests your password. Enter your password:

```
my-password
```

If you entered your user ID and password correctly, you see the following message:

```
my-user-ID logged on
```

Note If you see a message that indicates your login failed, you can repeat the login process by entering your user ID again:

```
user my-user-ID
```

6. Change to binary format by typing:

```
bin
```

7. Change your session to use the OS/400 Integrated File System by typing:

```
cd /
```

You see the following messages:

```
NAMEFMT set to 1
```

```
/ is current directory
```

8. Change to the system directory that contains the ID file or files. For example:

```
cd /notes/data
```

Note If the user ID file resides in a directory on a Domino for AS/400 partitioned server, you may need to specify the name of the server as part of the directory name. For example:

```
cd /acme01/notes/data
```

9. Copy the Notes user ID file that you created for the Fax Windows Services System. For example:

```
get fax.id
```

You should see a message that indicates the file transfer completed successfully.

10. Exit FTP by typing:

```
quit
```

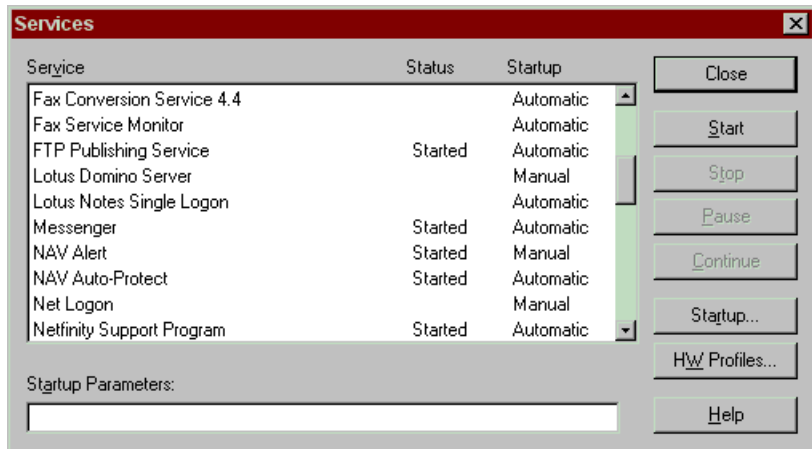
11. Close the MS-DOS Command Prompt window.

Setting up the Notes client

1. Start the Lotus Notes client application.
2. When you are prompted for the user ID, browse to locate the user ID file that you copied to the workstation. If you followed the FTP procedure, it is located in the Notes data directory.
3. If needed, create a connection document that defines how to connect to the fax server.
4. After setup is complete, shut down the Notes client.

Installing Fax Windows Services software

1. Make sure your Notes client on the Fax Windows Services System is set to use the user ID file that you created in an earlier step.
2. Shut down the Notes client.
3. Insert the Domino Fax for iSeries CD in the CD-ROM drive of the Fax Windows Services System.
Note If you are using an Integrated xSeries Server, insert the CD in the iSeries server CD-ROM drive.
4. Follow the instructions on each panel.
5. Restart the Fax Windows Services System when you are instructed to do so. If the Notes user ID is password protected, you will be prompted for the password immediately following the restart.
6. When the Fax Windows Services System restarts, verify that the Fax Conversion Services and Domino Fax for iSeries servers are running.
 - Open the Services control panel.
 - Locate the Fax Conversion Service and the Fax Service Monitor services and verify that they are Started. The following graphic shows that the services are started automatically.



For more information about managing the Fax Windows Services, see the Domino Fax for iSeries Administrator's Guide (nfxa400.nsf).

Installing selected applications

Install selected workstation applications on the Fax Windows Services System. You should install the applications that your users most commonly use for document attachments so that the attachments can be converted to an image file when the document is faxed.

Note See the specific application's instructions for installing the software. After installing a new application, manually start that application at least once before trying to fax files of that application type.

You have finished setting up the Fax Windows Services System. Go back to the **Notes administrator workstation** to finish setting up the server.

Chapter 4

Setting up the Domino Fax server



Administrator Workstation

The following sections guide you through performing these steps at the **Notes administrator workstation**.

- Modifying the agent restrictions on your server.
- Running Fax Setup.
- Restoring the agent restrictions on your server.

Modifying the agent restrictions on your server

Note The change to the agent restrictions is necessary only for Fax setup. You can restore the original agent restriction settings after you finish setting up the Fax server.

1. Open the Domino Directory on your server.
2. In the left pane of the address book window, click **Server**.
3. Open the Servers view.
4. Double-click the server document.
5. Click **Edit server**.
6. Click the Security tab.
7. In the Run unrestricted LotusScript/Java agents field, click the drop-down list and select the Domino server name.

Caution Verify that you have modified the **Unrestricted** LotusScript/Java agents field.

8. Click **Save and Close**.

Running Fax Setup

1. Start the Lotus Notes client application and sign on as the server administrator or another user that you added to the FaxAdmins group.
2. Open the Fax Setup database (setupfxd.nsf) located on the server.

Note To view help text for a field in the Fax Setup database, click the title to the left of the field.

3. Enter the following information:

Fax Foreign Domain: Specify a unique domain name for the fax server. This name must be different from every other Domino domain or foreign domain defined in your Domino Directory. The default Fax Foreign Domain name is Fax.

Administration: Select either Combined or Separate as the method you will use to administer Domino Fax for iSeries. See the "Preparing the Domino server" section in Chapter 1 for information.

Notes User for Fax Windows Services: Select the Notes user that you created for the Fax Windows Services System.

Fax Windows Services System: Specify the type of system where you installed the Fax Windows Services software. Select **Local Integrated xSeries Server** if you installed Fax Windows Services on an iSeries IXS and the IXS is located on the same iSeries server where you installed Domino Fax for iSeries. If you installed Fax Windows Services on any other Windows NT server or workstation (including an iSeries IXS located on a different iSeries server), select **Other Windows System**.

4. You will see one of the following fields depending on whether you specified Local Integrated xSeries Server or Other Windows System:

Network Server Description: If you installed Fax Windows Services on an Integrated xSeries server located on the same iSeries server as Domino Fax for iSeries, specify the name of the Network Server Description for the IXS.

Fax Windows Services System TCP/IP Host Name: If you installed Fax Windows Services on any other Windows NT server or workstation (including an Integrated xSeries server located on a different iSeries server), specify the host name of the Fax Windows Services System.

5. Click **Done** and wait for the setup process to complete.

Restoring the agent restrictions on your server

Modify the agent restrictions on your server to restore the original values in the **Run unrestricted LotusScript/Java agents** field. See “Modifying the agent restrictions on your server” in this chapter for details on restoring your original agent restrictions.

Chapter 5

Configuring Domino Fax for IBM Analog or IBM PCI Analog

This chapter guides you through the process of configuring Domino Fax for iSeries for IBM Analog or IBM PCI Analog fax devices. You should perform these steps at your Notes **administrator workstation**. Use the server administrator ID or other Notes ID that you added to the FaxAdmins group.

How you configure Domino Fax for iSeries after installation depends on whether you chose combined administration or separate administration.

Note Detailed instructions on creating and editing the settings and documents below are found in the Fax Administrator's Guide (nfxa400.nsf) that is installed along with Domino Fax for iSeries.

1. Open the server database you will use to administer Domino Fax for iSeries.
 - If you chose combined administration, open the Domino Directory (names.nsf) database. In the left-hand pane, you will see a new category of views called Fax. Expand this category to display the new views.
 - If you chose separate administration, open the Fax Administration database (nfxadmin.nsf).
2. Update the fax server information.
 - If you chose combined administration, select the Fax-Servers view in the Domino Directory and open the appropriate Server document. Expand the Fax section of the document and make sure there are valid entries in all required fields. You **must** enter a name in the Server administrator field.
 - If you chose separate administration, select the Fax Servers view in the Fax Administration database and open the default Fax Server document. Make sure the document includes valid entries in all required fields. You **must** enter a name in the Server administrator field.
3. Verify the fax person information.
 - If you chose combined administration, select the People view in the Domino Directory. Open the DefaultFxDUser Person document and make sure the Fax section includes valid entries in all required fields.

- If you chose separate administration, select the User Profiles view in the Fax Administration database. Then open the DefaultFxDUser User Profile document and make sure it includes valid entries in all required fields.

Note The following steps do not distinguish between Combined and Separate administration (unless noted). The steps are the same regardless of which database you are using. For more information, see the *Domino Fax for iSeries Administrator's Guide*.

4. Create a fax device document for each fax board or modem you are using by clicking the Fax Devices view in the left-hand pane.
5. In the menu bar, select **Create**. Then select your fax device from the pull-down menu (IBM Analog, IBM PCI Analog). For more information about which device to select, refer to the table in the "Performing pre-install tasks" section in Chapter 1.
6. Enter the device and general settings information for your fax device. The necessary information for each type of device is described below.

Fax server name: The name of the Domino server that will manage the fax device.

Fax hardware resource name: The resource name that identifies the fax port.

Note You should get this information from the person who installed the fax hardware.

Unique name for fax device: A unique name to describe the fax port. This name must be 1 to 8 characters. You can make this name whatever you want.

7. If you choose, enter information in the General and Advanced settings fields.
For more information on each field within these sections, click the blue field labels.
8. When you are finished configuring the fax hardware, click Save and Close.
9. Set up the default Class of Service document (DefaultFxD COS) to meet the needs of most people in your organization. You can create additional Class of Service documents, if needed.
10. If you chose separate administration, create the User Profile settings for individual users as needed. If you chose combined administration, modify the existing User Profile settings as needed.
11. Create Telephone Number Translation documents as needed.

You have completed configuring Domino Fax for iSeries. You should now set up Fax Users. For more information, see Chapter 7, "Setting up Domino Fax users."

Chapter 6

Configuring Domino Fax for IBM PCI ISDN

This chapter guides you through the process of configuring Domino Fax for iSeries for the IBM PCI ISDN Adapter (Feature code 2750 or 2751). You should perform these steps at your **Notes administrator workstation**. Use the server administrator ID or other Notes ID that you added to the FaxAdmins group. This chapter has the following information:

- References to resources to help you plan for ISDN.
- An overview of the configuration process.
- Steps for creating the OS/400 Configuration Objects.
- Steps for verifying the OS/400 configuration.
- Steps for creating the Fax Device Documents.

Understanding and planning for ISDN

The iSeries 400 Information Center contains useful information about ISDN.

<http://www.ibm.com/eserver/iseries/infocenter>

From the main Information Center page, select your OS/400 release and then select the following:

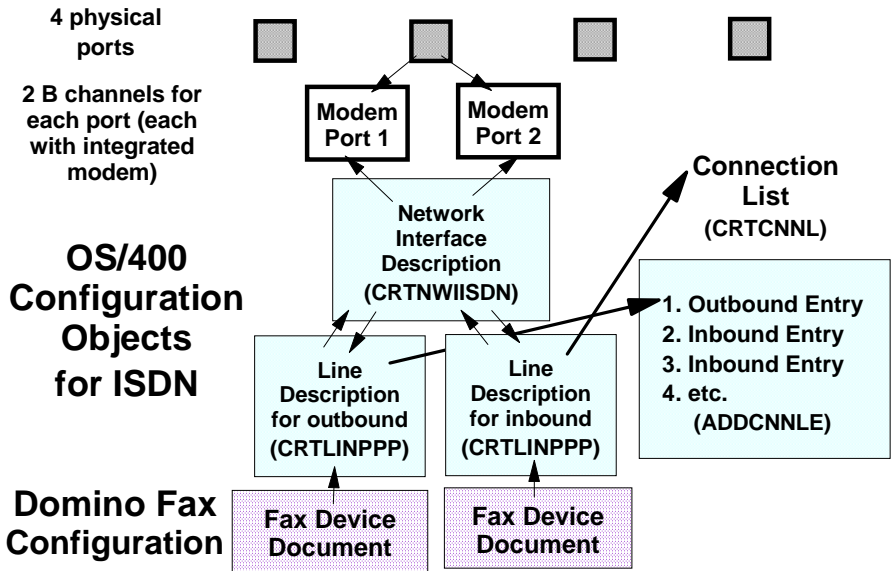
- **V4R4 systems:** Select **Networking**—>**ISDN on AS/400**.
- **V4R5 systems:** Select **Networking**—>**Networking Hardware Interfaces**—> **ISDN**.

The first few sections of the topic will help you to understand ISDN and how to plan for your ISDN service.

Overview: Configuring ISDN for Domino Fax

The following graphic provides an overview of the necessary configuration for using IBM PCI ISDN with Domino Fax for iSeries. The arrows indicate where the various configuration objects contain links or pointers to other objects.

Configuring Fax over ISDN (2750 or 2751 IOA)



Before configuring ISDN for Domino Fax, you should review these concepts:

- Each of the four physical ports has two B channels (each with an integrated modem) so the 2750 and 2751 IOAs can support up to 8 simultaneous fax connections.
- Each physical port that you intend to use for fax requires a **Network Interface Description for ISDN (NWI)**, which you will create with the CRTNWIISDN command. A single NWI is used to describe both of the channels or modem ports associated with a single physical port.
- You will also create a **Connection List** using the CRTCNNL command and add separate **Connection List Entries** for inbound and outbound routing using the ADDCNNLE command.
 - You can create one connection list to be shared by all of your modem ports (as shown in the chart) or create multiple connection lists if you prefer.
 - You must create one outbound entry in the connection list. All of your modem ports can share a single outbound connection list entry.

- You must create a separate entry in the connection list for inbound faxes. You will only need one entry for inbound faxes unless you want to screen incoming calls or you want to route specific inbound phone numbers to specific ports. Depending on how your phone switch is set up, this routing may already be taking place.
- For each of the channels on the physical port being used for fax, you will create a **Line Description (PPP)** using the CRTLINPPP command. When you create the Line Descriptions:
 - You must specify the Network Interface Description they are associated with.
 - You do not need to specify the specific channel that each line description is associated with. If you specify *CALC as the NWI channel number, the system will automatically select one of the two channel numbers defined for the NWI based on availability.
 - You must specify whether the line description is used for inbound or outbound routing. You can create one Line Description for inbound routing and one for outbound routing (as shown in the graphic) or you may choose to use both for inbound or both for outbound, depending on your needs.
 - When you create a line description for outbound routing, you must specify the connection list and a specific outbound entry in the list.
 - When you create a line description for inbound routing, you only specify the connection list containing one or more inbound entries.
- For each of the line descriptions, you will create a **Fax Device document**.
You will use the Fax Administration database (nfxadmin.nsf) or the Domino Directory (names.nsf) database depending on whether you use separate or combined administration.
- Additional configuration objects (controller and device descriptions) are created automatically when you start Fax.

Creating the OS/400 configuration objects

Detailed instructions for configuring your iSeries server are provided in the ISDN article included in the iSeries 400 Information Center. See "Understanding and planning for ISDN" in this chapter for help locating the article. When you find the ISDN article, go to the topic called "Configuring your AS/400 for ISDN" and follow the appropriate links for "Configuring Fax over ISDN."

Tip Follow the configuration instructions by using the links which are available in the online version rather than using a printed version of the article. Also, ignore the references to Facsimile Support for AS/400. The OS/400 configuration for Facsimile Support for AS/400 and Domino Fax for iSeries is the same.

In addition, a configuration example showing the OS/400 screen images is included in an appendix of the Redbook, *Lotus Fax for Domino for AS/400: Getting the Straight Facts* (SG24-5941).

When you have finished creating all of the OS/400 configuration objects, return to this document to complete the configuration.

Verifying the OS/400 configuration

Once you have created the OS/400 configuration objects, you can vary on the Network Interface (NWI) and the lines you have created.

- If they go to CONNECT_PENDING, everything is configured correctly.
- If they go to VARY_ON_PENDING, there is a problem with your configuration. Check the values you have used.

Configuring Fax for IBM PCI ISDN

How you configure Fax after installation depends on whether you chose combined administration or separate administration.

Note Detailed instructions on creating and editing the settings and documents below are found in the Fax Administrator's Guide (nfxa400.nsf) that is installed along with Domino Fax for iSeries.

1. Open the server database you will use to administer Domino Fax for iSeries.
 - If you chose combined administration, open the Domino Directory (names.nsf) database. In the left-hand pane, you will see a new category of views called Fax. Expand this category to display the new views.
 - If you chose separate administration, open the Fax Administration database (nfxadmin.nsf).
2. Update the fax server information.

- If you chose combined administration, select the Fax-Servers view in the Domino Directory and open the appropriate Server document. Expand the Fax section of the document and make sure there are valid entries in all required fields. You **must** enter a name in the Server administrator field.
 - If you chose separate administration, select the Fax Servers view in the Fax Administration database and open the default Fax Server document. Make sure the document includes valid entries in all required fields. You **must** enter a name in the Server administrator field.
3. Verify the fax person information.
 - If you chose combined administration, select the People view in the Domino Directory. Open the DefaultFxDUser Person document and make sure the Fax section includes valid entries in all required fields.
 - If you chose separate administration, select the User Profiles view in the Fax Administration database. Then open the DefaultFxDUser User Profile document and make sure it includes valid entries in all required fields.

Note The following steps do not distinguish between combined and separate administration (unless noted). The steps are the same regardless of which database you are using. For more information, see the *Fax Administrator's Guide*.

4. Create a fax device document for each fax board or modem you are using by clicking the Fax Devices view in the left-hand pane.
5. In the menu bar, select **Create** and select IBM PCI ISDN.
6. Create a device document for each channel or modem port you are using for fax. Unlike other fax devices, fax device documents for ISDN can be transmit only or receive only, but not both. For each Line Description (PPP) you created for outbound, create a fax device document that is set to Enable Transmit only. For each Line Description (PPP) that you created for inbound faxes, create a fax device document that is set to Enable Receive only.
7. If you choose, enter information in the General and Advanced settings fields.

Note For more information on each field within these sections, click the blue field labels.
8. When you are finished configuring the fax hardware, click **Save and Close**.
9. Set up the default Class of Service document (DefaultFxD COS) to meet the needs of most people in your organization. You can create additional Class of Service documents, if needed.

10. If you chose separate administration, then create User Profile settings for individual users as needed. If you chose combined administration, modify your existing User Profile settings as needed.

Note If you use both DTMF and DID routing, you should avoid assigning a DTMF number which is the same as a DID number. This will cause problems with fax routing.

11. Create Telephone Number Translation documents as needed.

You have completed configuring Domino Fax for iSeries. You should now set up your Domino Fax users. For more information, see Chapter 7, "Setting up Domino Fax users."

Chapter 7

Setting up Domino Fax users

There are several steps required to make fax capability available to your users:

- Updating users' Personal Address Books with fax domain information.
- Updating users' mail templates with fax options.
- Making Fax Help available.
- Setting up an Allow/Exclude permission list.

Updating users' Personal Address Books with fax domain information

You must provide your fax users with the necessary instructions to perform the following steps:

1. Update the design of their Personal Address Books so that the Fax domain field appears in their location documents.
 - If your users do not keep a copy of pernames.ntf on their client workstation, they should refresh the design of their Personal Address Book (names.nsf) using the updated template on the server.
 - If your users keep a copy of pernames.ntf on their client workstation, you may want to mail them a copy of the updated pernames.ntf file from the server along with instructions for copying \$LotusFaxLocationSubform from the Design/Subforms view to their own copy of pernames.ntf. Once the template is updated, users must refresh the design of their Personal Address Book (names.nsf) in order for the Fax domain field to appear in the Location documents in their Personal Address Books.
2. Enter the name of the fax domain in the Fax domain field in their location documents.

Updating users' mail templates with fax options

Include the "Fax to" field and Fax Options button on users' Notes Memo form by performing the following steps:

1. Copy \$LotusFaxMemoSubform and \$LotusFaxOptionsSubform, which the Fax Setup Database placed in the mail template on the fax server (mail46.ntf, mailc46.ntf, and mail50.ntf), to the mail templates on all your mail servers.

Note If mail templates are not automatically replicated among all mail servers, then these subforms must be manually copied to each one.

2. Refresh the design of users' mail databases on mail servers.

Note If a user's mail database inherits its design from the updated mail template on a server, the new features will be made available to that user automatically when the server's DESIGN program runs. This usually occurs at 1:00 AM. You can also refresh the design manually.

Making Fax Help available

Make the Fax Help database (nfxuhelp.nsf) available to your users by copying it to the Domino data directory on your mail servers or by sending it to users and having them copy it to their Notes data directories. Once this is done, they can access Fax Help from within the Notes application.

Setting up an Allow/Exclude permission list

By default, Domino Fax for iSeries allows anyone, including anonymous Internet users who can send mail to the fax server via SMTP, to use the fax server. To restrict access to authorized users, set up a permission list as follows:

1. If you chose combined administration, follow these steps:
 - Open the Domino Directory located on the Fax server.
 - Select **Fax**.
 - Select **Servers**.
 - Double-click the Fax server where you will set up the permission list.
 - Skip the next step and go to step 3.
2. If you chose separate administration, follow these steps:
 - Open the Fax Administration database.
 - Select the **Fax Servers** view.

- Double-click the Fax server where you will set up the permission list.
3. Click **Permissions**.
 4. In the Allow or exclude user access to route faxes to this server field, select **Allow**.
 5. In the Users allowed field, specify the users who are allowed to use this Fax server.

Chapter 8

Starting and stopping Domino Fax for iSeries

This chapter provides you with the steps to start and stop Domino Fax for iSeries.

Starting Domino Fax

When you install and configure Domino Fax, the server notes.ini file is updated so that Domino Fax will start automatically whenever you start the Domino server.

If you need to start Domino Fax manually, complete the following steps:

1. Start a Domino console session by typing the following from any OS/400 command line:

```
WRKDOMCSL ACME1
```

where ACME1 is the name of your Domino server.

2. When the console session is active, type the following command:

```
load fax
```
3. Close the console session.

Note For more information about using the Domino for AS/400 server console, see *Installing and Managing Domino for AS/400* or the Domino for AS/400 Help database (as400hlp.nsf).

Stopping Domino Fax

Before you end a Domino server, you should stop Domino Fax by following these steps:

1. Start a Domino console session by typing the following from any OS/400 command line:

```
WRKDOMCSL ACME1
```

where ACME1 is the name of your Domino server.

2. When the console session is active, type the following command:

```
tell fax quit
```

3. Close the console session.

Chapter 9

Upgrading to Domino Fax for iSeries

This chapter describes how to upgrade your fax server from Lotus Fax for Domino for AS/400 Release 4.1 to IBM Integrated Domino Fax for iSeries Version 4 Release 4. When you upgrade from Fax for Domino to Domino Fax you must upgrade all of the fax servers that reside on the same system.

Note All Domino Fax for iSeries servers using the same Fax Windows Services System must be running the same release of Domino Fax for iSeries. You can mix Domino Fax for iSeries and Lotus Fax for Domino 4.1 fax servers in the same network, but they cannot use the same Fax Windows Services System.

Before upgrading to IBM Integrated Domino Fax for iSeries, make sure you have completed the pre-install tasks in Chapter 1. After completing the tasks, upgrade to Domino Fax for iSeries by following these steps:

- Completing the pre-upgrade tasks.
- Installing Domino Fax for iSeries software.
- Adding the software to the Domino server.
- Upgrading the Fax Windows Services System.
- Setting up the Domino Fax for iSeries server.
- Upgrading users' mail templates and help files.

Pre-upgrade tasks

Before you install Domino Fax for iSeries, you should complete the following steps from the Notes Administrator Workstation.

1. You must record the existing Lotus Fax for Domino settings in the Fax Setup database. In a later step, you will delete this database. To record the existing Lotus Fax for Domino settings:
 - Open the Fax Setup database (setupfxd.nsf).
 - Double-click the setup document.
 - Record the settings.

2. End the Domino server where you installed Lotus Fax for Domino Release 4.1.
3. Delete the following databases from the data directory of the Domino server:
 - Domino Fax for iSeries Administration Guide database (nfxa400.nsf).
 - Domino Fax for iSeries User Guide database (nfxuhelp.nsf).
 - Fax Setup database (setupfxd.nsf).

When you install the new version of Domino Fax for iSeries, newer versions of these databases will be installed.

You have completed the pre-upgrade tasks. Now you can install the Domino Fax for iSeries software.

Installing the Domino Fax for iSeries software

Follow these steps to install the Domino Fax for iSeries software.

1. Sign on to your iSeries server with a user profile that has the *ALLOBJ and *SECADM special authorities.
2. Insert the Domino Fax for iSeries CD into the CD-ROM drive on your iSeries server.
3. Type the following command from any OS/400 command line and press F4 (instead of pressing Enter):
LODRUN
4. On the LODRUN panel, type the following value in the Devices field:
***OPT**
5. Press Enter and then type the following value in the Directory field:
/OS400
6. Press Enter to run the command and wait for it to complete.
7. To change the Domino Fax for iSeries user interface to a language other than English, see Chapter 10, "Using a language other than English."

Adding the software to the Domino server

To add Domino Fax for iSeries to a Domino server, follow these steps:

1. From the OS/400 command line, type the following and press F4:
`ADDDOMAPP`
2. In the Server path field on the Add Domino Application Screen, enter the server name where you will add Domino Fax.

Note If you are adding Domino Fax to more than one Domino server, you must add it separately to each one. Do not specify *ALL.

3. Type the following in the Licensed Program field and press Enter:
`5733FXD`

You should see a message stating that adding the Domino application is complete. You should now upgrade the Fax Windows Services System.

Upgrading the Fax Windows Services System

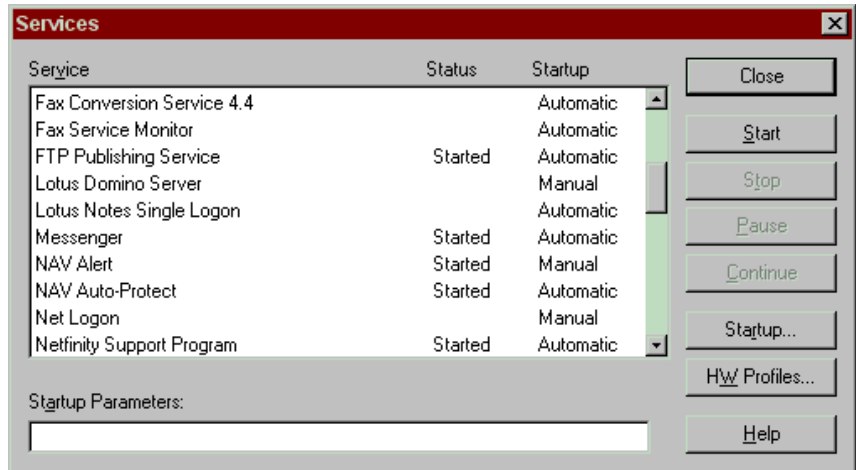
This section applies to a situation where you will use the same Windows Services System as you did before. If you are setting up a different system, follow the instructions in Chapter 3, "Setting up the Fax Windows Services System" and return to this chapter for the next step.

These steps must be performed at the Fax Windows Services System.

To upgrade the Fax Windows Services System, follow these steps.

1. Shut down the Notes client.
2. Uninstall the previous version of Conversion Services.
3. Restart the Fax Windows Services System.
4. Insert the Domino Fax for iSeries CD. The Fax Windows Services System Conversion Service Wizard should start automatically. Follow the instructions on each panel to install the new version of Fax Windows Services.
5. When installation is finished, you will be asked to restart the system. Select Yes, and click Finish.
6. When the Fax Windows Services System restarts, verify that the Fax Conversion Services and Domino Fax for iSeries servers are running.
 - Open the Services control panel.

- Locate the Fax Conversion Service and the Fax Service Monitor services and verify that the Status is Started. The graphic below shows that the services are started automatically.



You have completed upgrading the Fax Windows Services System. Now return to the administrator workstation to set up the Domino Fax for iSeries server.

Setting up the Domino Fax for iSeries server

These steps must be performed at the Notes administrator workstation:

1. Start the Domino server where you added Domino Fax.
2. If Domino Fax starts automatically, shut it down.
 - Open a Domino console session to the Domino server where you have added Domino Fax.
 - Type the following and press Enter:
TELL FAX QUIT
3. Modify the agent restrictions on your server by entering the server name in the Run unrestricted LotusScript/Java agents field. For more information, see the “Modifying the agent restrictions on your server” section in Chapter 4.
4. During the pre-installation tasks, you recorded the existing settings in the Fax for Domino Setup database. Enter those settings in the Fax Setup database now. When you have entered the settings, click Done.

5. Restore the original values in the Run unrestricted LotusScript/Java agents field. For more information, see the “Restoring the agent restrictions on your server” section in Chapter 4.
6. Refresh the design of your Fax Administration database. This will copy the new forms into your Fax Administration database.
 - If you chose separate administration, open NFXADMIN.NSF.
 - If you chose combined administration, open NAMES.NSF.
7. If you are adding any additional fax devices, follow the steps in either Chapter 5, “Configuring Domino Fax for IBM Analog or IBM PCI Analog,” or Chapter 6, “Configuring Domino Fax for IBM PCI ISDN.”
8. Start Domino Fax.
 - Open a Domino console session for the Domino server where you added Domino Fax.
 - Type the following and press Enter:
LOAD FAX

You have completed the Domino Fax setup. Now upgrade users’ mail templates and help files.

Upgrading users’ mail templates and help files

Refresh the design of user mail databases with the updated mail templates. If a user mail database inherits its design from the updated mail template on a server, the new features will be made available to that user automatically when the server DESIGN program runs. This usually occurs at 1:00 AM. You can also refresh the design manually by running LOAD DESIGN from the Domino console.

If mail templates are not automatically replicated among all mail servers, then updated versions of \$LotusFaxOptionsSubform and \$LotusFaxMemoSubform must be manually copied to each server.

You have completed upgrading your fax servers to IBM Integrated Domino Fax for iSeries, Version 4 Release 4.

Chapter 10

Using a language other than English

In addition to English, Domino Fax for iSeries provides language files in the following languages:

- French
- German
- Italian
- Japanese
- Korean
- Portuguese
- Chinese
- Spanish
- Taiwanese
- Thai

After you install these language files and update the design of your fax users' mail templates, fax users can view Domino Fax interfaces in their native language. Remember that regardless of the language used for viewing fax interfaces, all users can include fax content in languages other than English.

After performing the LODRUN command on your iSeries system and before adding Domino Fax for iSeries to your Domino server, perform the following steps. Use an OS/400 user profile that has the *ALLOBJ and *SECADM special authorities.

Note To copy the files from the Domino Fax for iSeries CD to the iSeries system, you can use FTP or the drag and drop interface of Operations Navigator.

1. Insert the Domino Fax for iSeries CD in the CD-ROM drive of the administrator workstation.
2. Open the root directory of the Domino Fax for iSeries CD.
3. Open the Language directory.
4. Select the language that you want to use and open the corresponding directory.
5. Copy the following files to the /qibm/proddata/lotus/fax/mri2924 directory on your iSeries system:
 - NFXCOVER.NTF
 - NFXFORM4.NTF
 - NFXFORM5.NTF
 - NFXSPOOL.NTF

- NFXESTR.RES
- NFXUHELP.NTF

Note The NFXUHELP.NTF file is not available for all languages.

6. Copy the NFXESTR.RES file to the /qibm/proddata/lotus/notes/res/c directory on your iSeries system.
7. Copy the following files to the /qibm/userdata/lotus/fax directory on your iSeries system:
 - NFXCOVER.NTF
 - NFXFORM4.NTF
 - NFXFORM5.NTF
 - NFXSPOOL.NTF
 - NFXUHELP.NTF

Note A translated version of the NFXUHELP.NTF file is not available for all languages.

8. Change the owner of the files that you copied to the /qibm/proddata/lotus/fax/mri2924 directory to QNOTES.
 - Sign on to your iSeries server with a user profile that has the *ALLOBJ and *SECADM special authorities.
 - Enter the Change Owner (CHGOWN) command and press F4.
 - In the Object field of the Change Owner screen, type the following:
/qibm/proddata/lotus/fax/mri2924/*
 - In the New Owner field, type the following and press Enter:
QNOTES

You should receive a message saying that the owner of the files has changed.

9. Change the owner of the NFXESTR.RES file that you copied to the /qibm/proddata/lotus/notes/res/c directory to QNOTES.
 - Enter the Change Owner (CHGOWN) command and press F4.
 - In the Object field of the Change Owner screen, type the following:
/qibm/proddata/lotus/notes/res/c/*
 - In the New Owner field, type the following and press Enter:
QNOTES

You should receive a message saying the owner of the file has changed.

10. Change the owner of the files in the /qibm/userdata/lotus/fax directory to QNOTES.
 - Enter the Change Owner (CHGOWN) command and press F4.

- In the Object field of the Change Owner screen, type the following:
`/qibm/userdata/lotus/fax/*`
- In the New Owner field, type the following and press Enter:
`QNOTES`

You should receive a message saying the owner of the files has changed.

11. After copying the language files, use the Save Licensed Program (SAVLICPGM) command to back up the product. If you ever need to reinstall Domino Fax for iSeries, you can reinstall from the backup and avoid copying the language files again.

For example, to back up the product to a tape loaded in a device called TAP01, enter the following command:

```
SAVLICPGM LICPGM(5733FXD) DEV(TAP01)
```

Continue the Domino Fax for iSeries installation process by adding Domino Fax for iSeries to a Domino server. See “Adding Domino Fax for iSeries to the Domino server” in Chapter 2 for further instructions.

If you are upgrading to Domino Fax for iSeries, see “Adding the software to the Domino server” in Chapter 9 for further instructions.

Index

A

Adding, 10, 39
Adding Domino Fax, 10
Agent Restrictions, 19, 21
Allow/Exclude permission, 32
Assumptions, 2

C

Configuring, 25

D

Domino Fax software, 9

F

Fax help, 32
Fax Setup, 20
Fax Windows Services Software, 16
Fax Windows Services System, 13, 39
FaxAdmins, 11

I

IBM Analog, 23
IBM PCI Analog, 23
IBM PCI ISDN, 25, 28
Installation process, 3, 9, 14, 16,
17, 38
ISDN, 25, 28

L

Language files, 43

M

Mail template, 32, 41

N

Notes Client, 14, 16
Notes user ID file, 14

O

OS/400 Configuration, 28
OS/400 configuration objects, 27

P

Pre-install tasks, 3
Pre-upgrade tasks, 37
Preparing the Domino server, 7
Public Address Book, 31

R

Restoring, 21

S

Setting up, 13, 19, 31, 32, 40
Starting, 35
Stopping, 35, 36

U

Updating, 11, 31, 32
Upgrading, 37, 39, 41
User, 31, 32, 41

